

SUBMITTAL SHEET

Model TH 603376



Date: _____ Job Name: _____

Customer: _____ Ship To: _____

PO#: _____

_____/_____/_____
Plumbing Contractor Approval

_____/_____/_____
Date

_____/_____/_____
Engineer Approval

_____/_____/_____
Date

_____/_____/_____
Architect Approval

_____/_____/_____
Date

To complete your order, this document must be signed and faxed to Diamond Tubs & Showers:

Fax: (574) 551-2904

ADA Compliance: Unit must be equipped with L-shaped fold up seat, applicable grab bar configuration, pressure mixing valve, hand held shower with slide bar & 60" hose. Unit & accessories must be installed according to ADA & Diamond guidelines.

Int. Dim.	60" x 32 1/8" x 75 7/8"
Ext. Dim.	62" x 33 3/8" x 76"
Material	Fiberglass
Warranty	Six Years
Code Listed	None

Certified to conform to HUD/UM73b, ANSI Z124.1 and ASTM E-162 Flame Spread Rating 200 or less & is under a program of factory inspection.

Accessories & Options:

Fixture Wall

Left Right

Fold up seat

(4) 1 1/2" grab bars

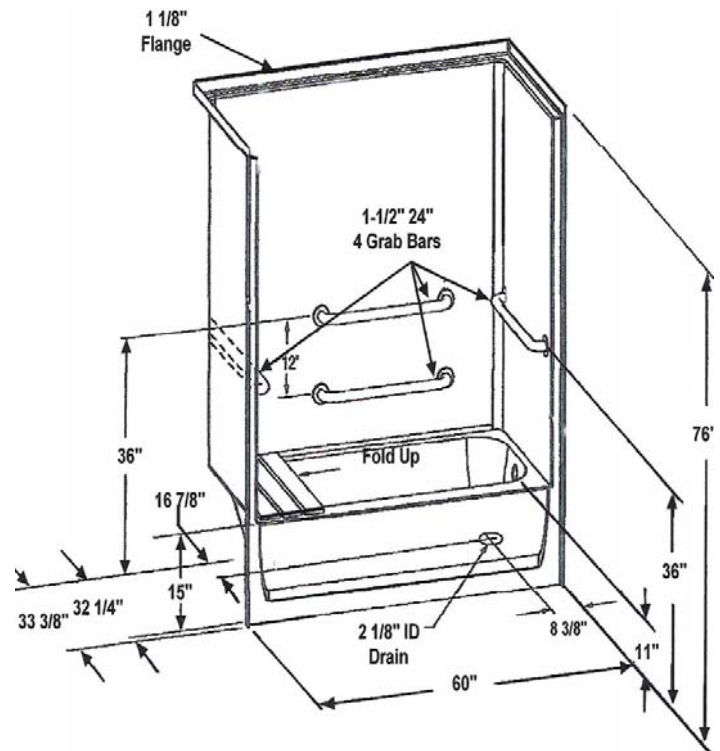
Soap Dish

Pressure Mixing Valve

Hand Held Shower

24" Slide Bar, vacuum breaker & 60" Hose

Curtain Rod Shower Curtain



Refer to framing spec for rough-in dimensions.