

# SUBMITTAL SHEET



## Model SH 623676

Date: \_\_\_\_\_

Job Name: \_\_\_\_\_

Customer: \_\_\_\_\_

Ship To: \_\_\_\_\_

PO#: \_\_\_\_\_

\_\_\_\_\_

\_\_\_\_\_/\_\_\_\_\_/\_\_\_\_\_  
Plumbing Contractor Approval Date

\_\_\_\_\_/\_\_\_\_\_/\_\_\_\_\_  
Engineer Approval Date

\_\_\_\_\_/\_\_\_\_\_/\_\_\_\_\_  
Architect Approval Date

Certified to conform to HUD/UM73b, ANSI Z124.1 and ASTM E-162 Flame Spread Rating 200 or less & is under a program of factory inspection.

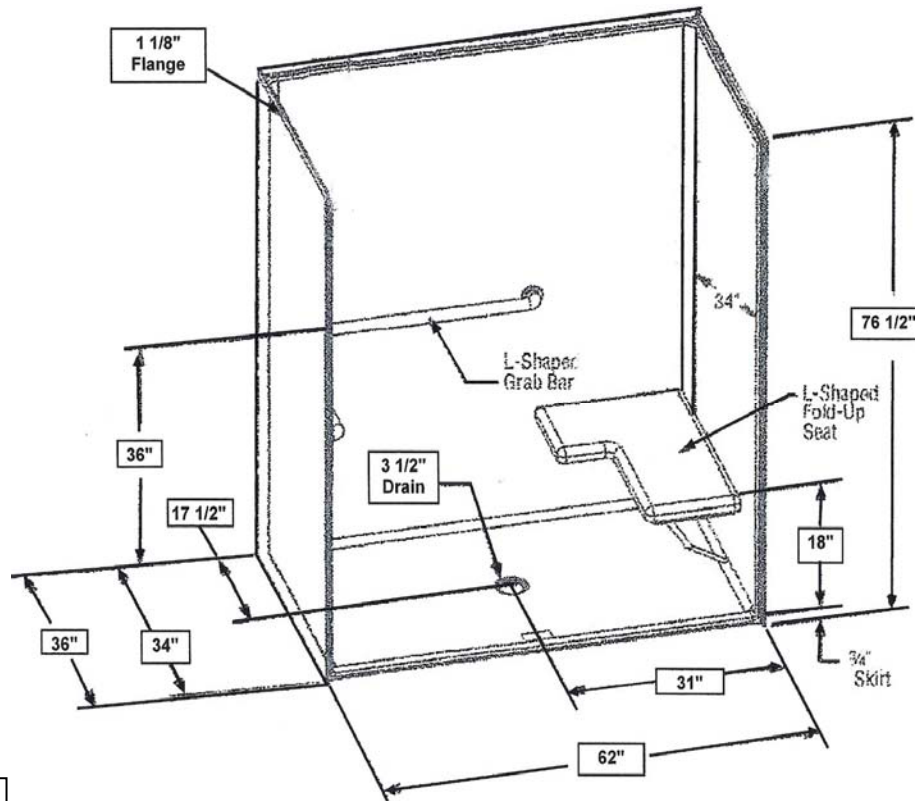
To complete your order, this document must be signed and faxed to Diamond Tubs & Showers:  
Fax: (574) 453-2904

Int. Dim.	60" x 34" x 75 3/8"
Ext. Dim.	62" x 36" x 76 1/2"
Material	Fiberglass
Warranty	Six Years
Code Listed	None

ADA Compliance: Unit must be equipped with L-shaped fold up seat, applicable grab bar configuration, pressure mixing valve, hand held shower with slide bar & 60" hose. Unit must be installed so the threshold is no more than 1/2" above the finished floor. Unit & accessories must be installed according to ADA & Diamond guidelines.

### Accessories & Options:

- Fixture Wall
  - Left  Right
- "L" shaped fold up seat
  - Left  Right
- "L" Shaped Grab Bar
- Soap Dish
- Pressure Mixing Valve
- Hand Held Shower
- 24" Slide Bar, vacuum breaker & 60" Hose
- Curtain Rod  Shower Curtain
- Collapsible Dam



See framing sheet for threshold detail specifications.