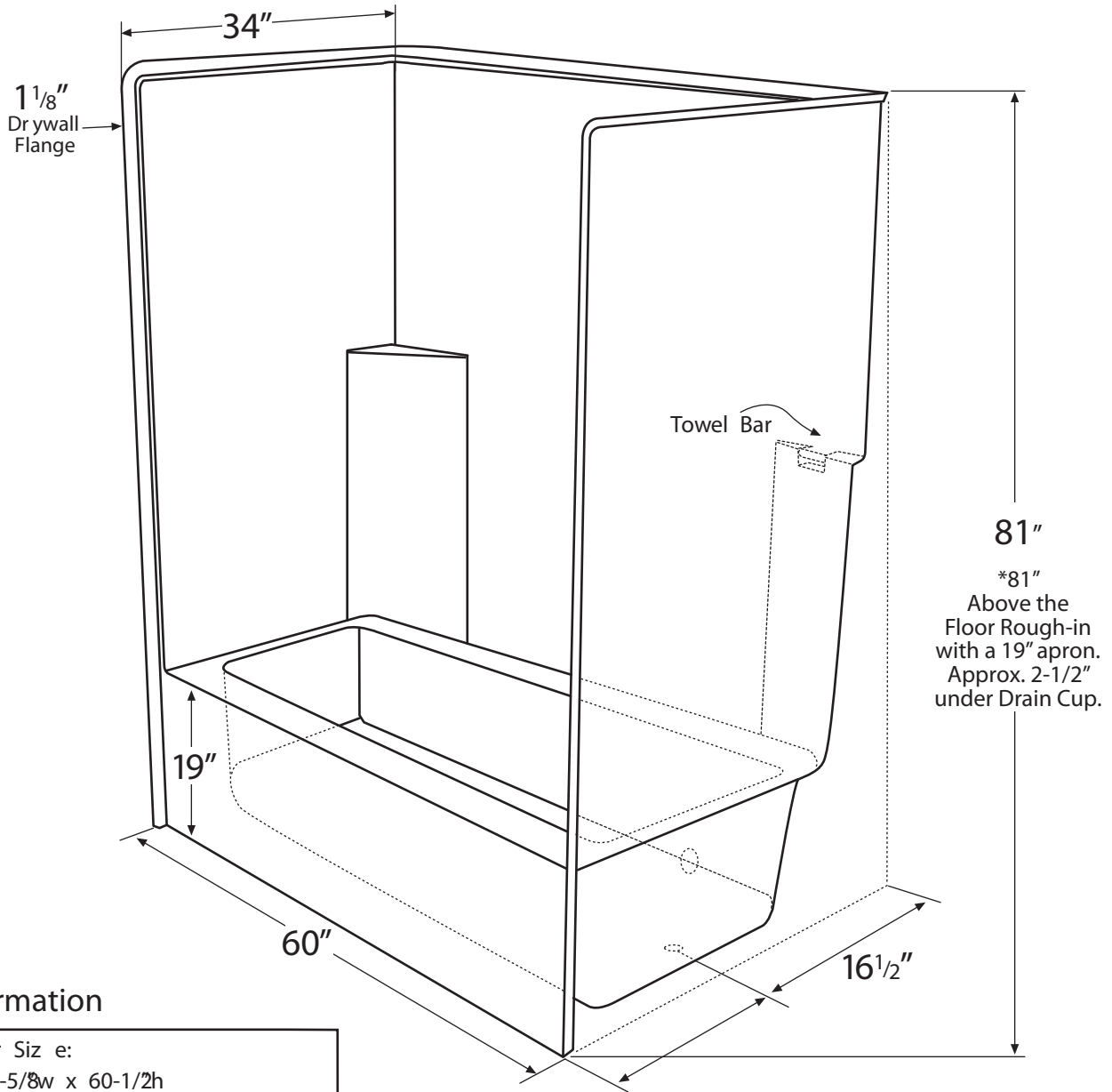


# Diamond

TUB & SHOWERS



## Information

Door Size:  
56-5/8" w x 60-1/2" h

Sump Sizes:  
44" x 20" at bottom,  
50-3/4" x 23-1/4" at C/L of overflow  
4-1/8" from floor to C/L of overflow

Drain:  
2-1/8" I.D. drain hole  
16-1/2" to C/L from backwall  
7-7/8" to C/L from sidewall  
2-1/2" I.D. overflow hole

Tolerances:  
+0, -1/4"

Certified to conform to HUD/UM73b, ANSI Z124.1, and ASTM E-162 Flame Spread Rating 200 or less and is under a program of factory inspection.

Tub & Shower Ultimate — One Piece  
Model TU 603481 R/L  
\*Model TU 603479 R/L

Manufactured by  
Front Line Mfg. Inc.  
Leesburg, IN



5/3/06