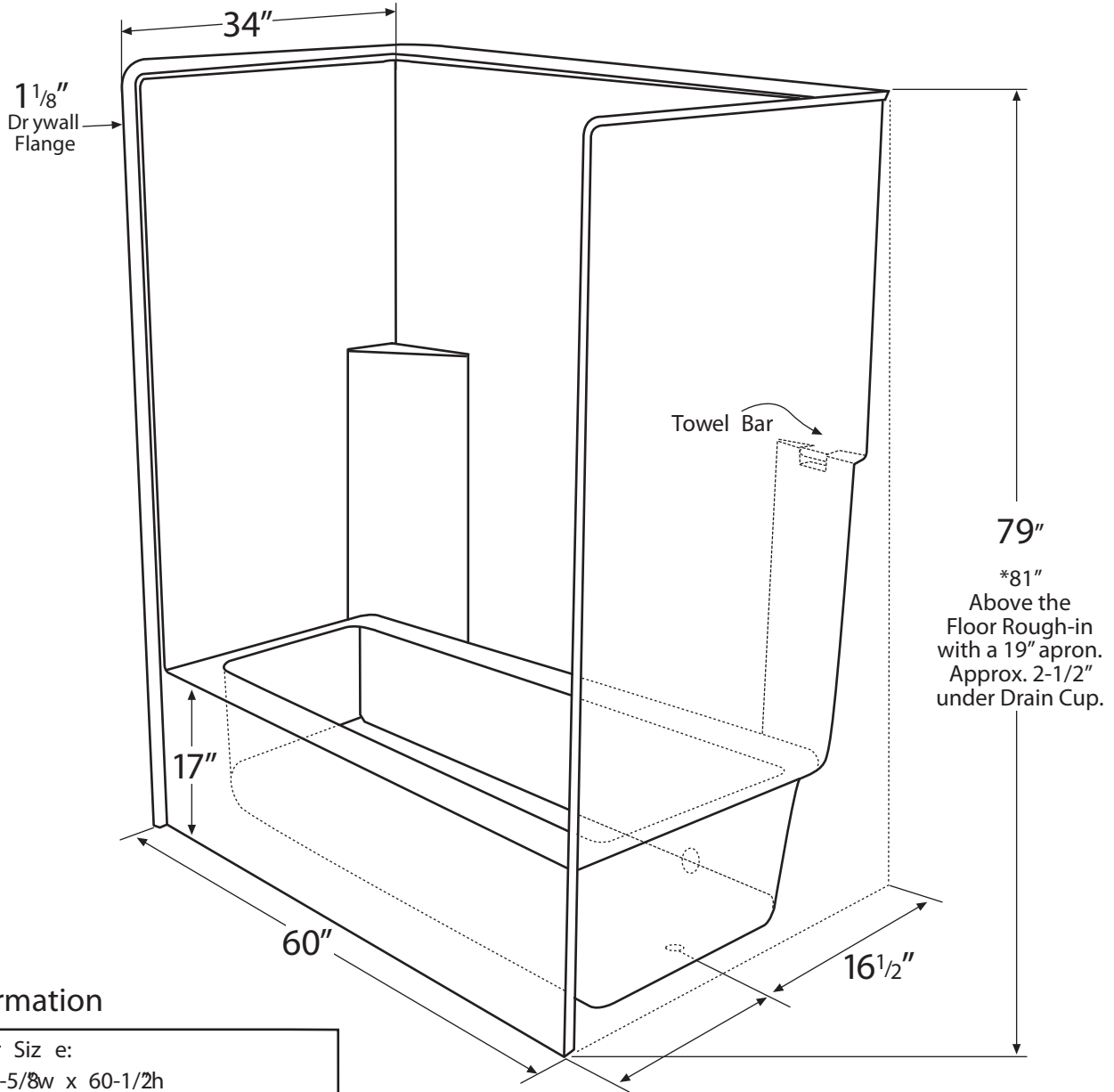


Diamond

TUB & SHOWERS



Information

Door Size:

56-5/8" w x 60-1/2" h

Sump Sizes:

44" x 20" at bottom,

50-3/4" x 23-1/4" at C/L of overflow

4-1/8" from floor to C/L of overflow

Drain:

2-1/8" I.D. drain hole

16-1/2" to C/L from backwall

7-7/8" to C/L from sidewall

2-1/2" I.D. overflow hole

Tolerances:

+0, -1/4"

Certified to conform to HUD/UM73b, ANSI Z124.1, and ASTM E-162 Flame Spread Rating 200 or less and is under a program of factory inspection.

Tub & Shower Ultimate — One Piece
Model TU 603479 R/L
 *Model TU 603479 R/L

Manufactured by
 Front Line Mfg., Inc.
 Leesburg, IN



5/3/06