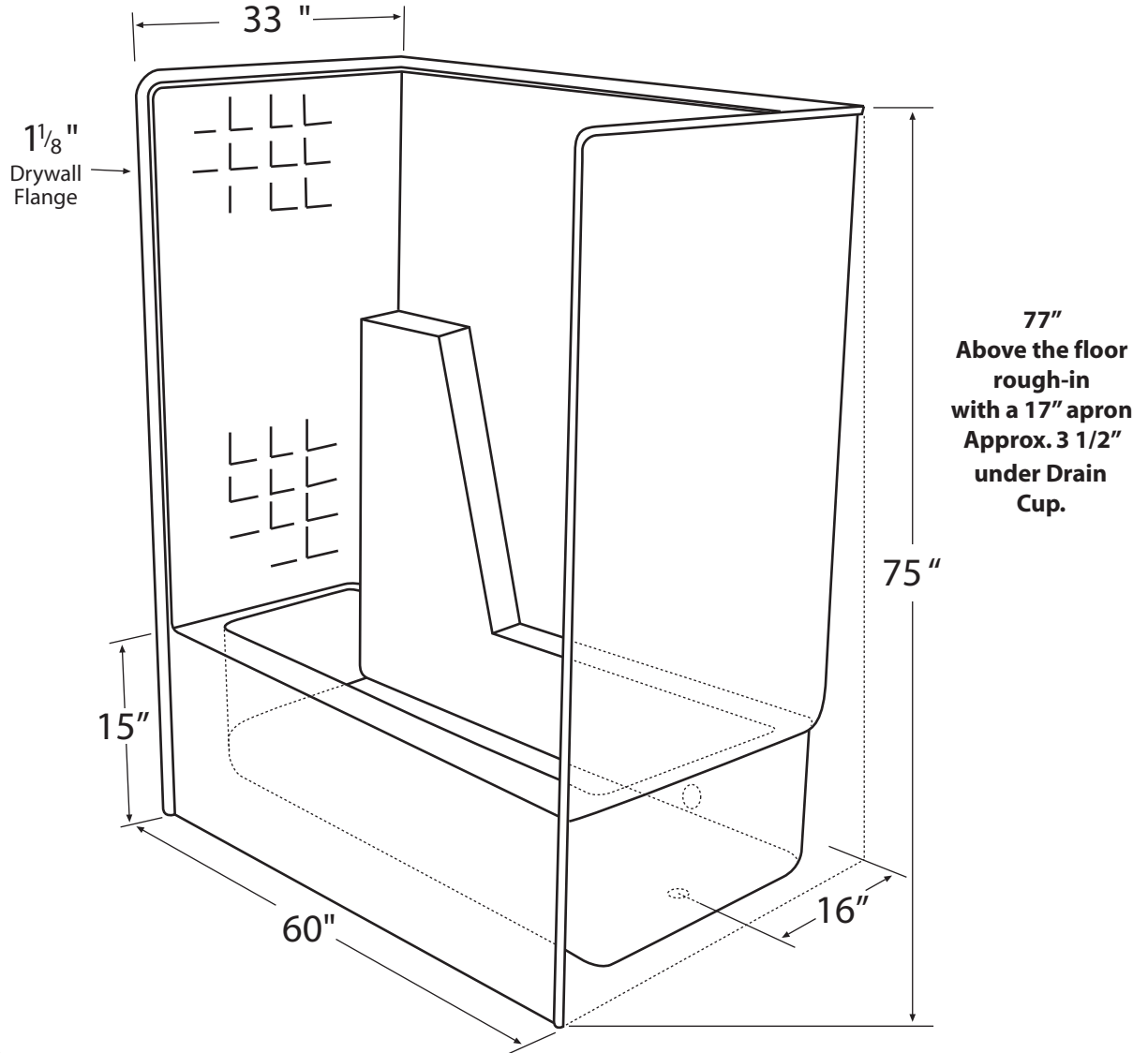


Diamond

TUB & SHOWERS



Information

Door Size:

56-5/8"w x 58 1/2"

Sump Sizes:

46" x 20" at bottom

51"w x 22" at C/L of overflow

11" from bottom of sump to C/L of overflow

Drain:

2 1/8" I.D. drain hole

16" to C/L from back wall

7 1/2" to C/L from side wall

2 1/2" I.D. overflow hole

Tolerances:

+0 -1/4"

Certified to confo
 HUD/UM73b, ANSI
 Z124.1, and ASTM
 E-162 Flame Spread
 Rating 200 or less and
 is under a program of
 factory inspection.

Tub & Shower Tile Builder--
 One Piece
 Model TTB 603375 R/L

Manufactured by
 Front Line Mfg., Inc.
 Leesburg, IN



5/4/06