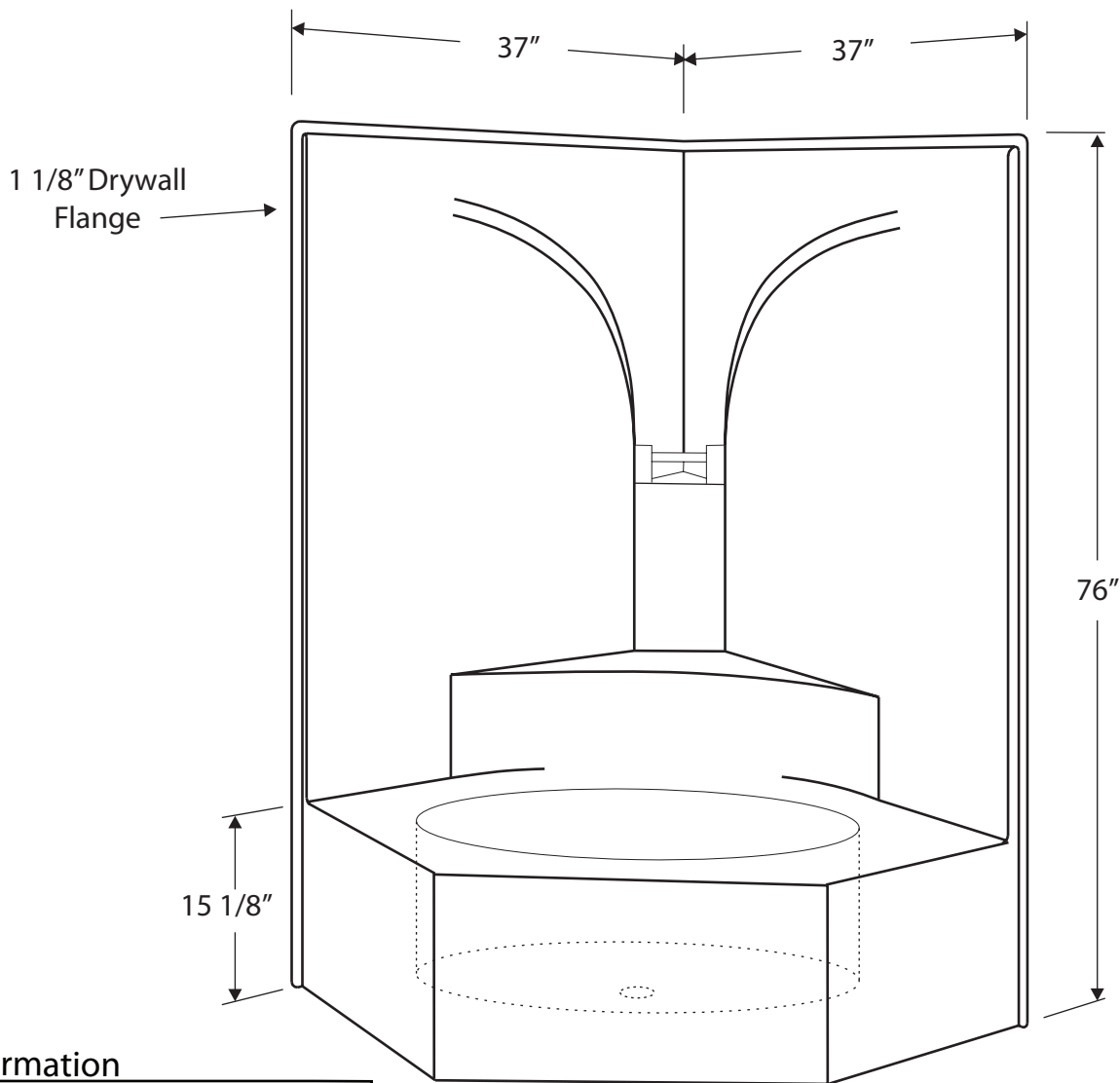


Diamond

TUB & SHOWERS



Information

Door Size:

16" x 27 3/4" x 16"

Dimensions:

37" x 37" x 76"

Left Apron 15 1/8"

Sump Size:

17" x 32 3/4", 10 1/4"d

Tolerances:

+0, -1/4"

Certified to conform to HUD/UM73b, ANSI Z124.1, and ASTM E-162 Flame Spread Rating 200 or less and is under a program of factory inspection.

Tub & Shower - One Piece
Model TNA 3776 CF

Manufactured by
Front Line Mfg., Inc.  
Leesburg, IN

12/05