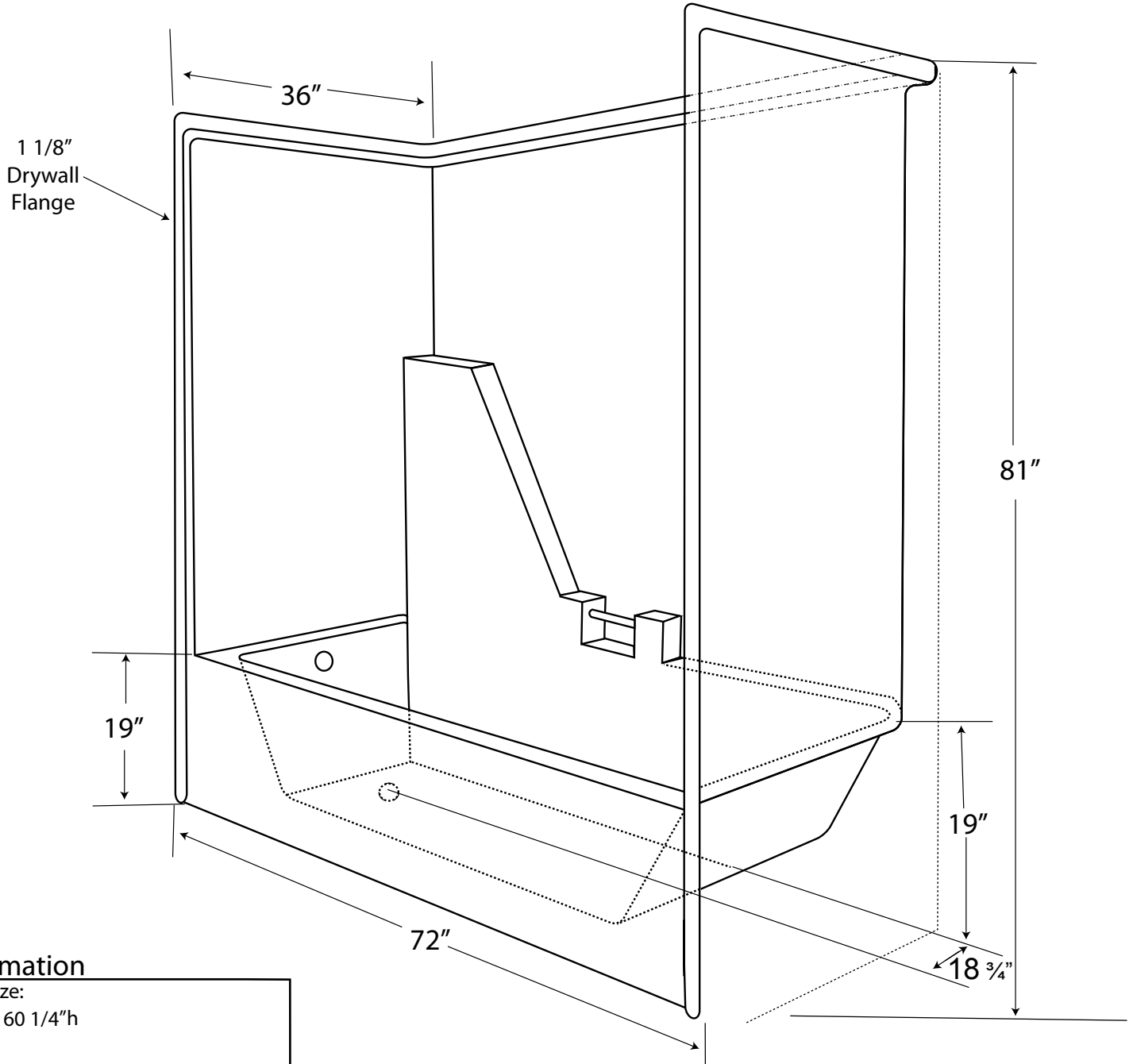


Diamond

TUB & SHOWERS



Information

Door Size:

69" w x 60 1/4" h

Drain:

- 8-1/2" C/L from side
- 18-3/4" C/L from back
- 2 1/8" I.D. drain hole
- 2 1/2" I.D. overflow hole

Sump Size:

- From Bottom of sump 57" w x 22" d
- From bottom of overflow 63" w x 26" d

Tolerances:

+0, -1/4"

Certified to conform to HUD/UM73b, ANSI Z124.1, and ASTM E-162 Flame Spread Rating 200 or less and is under a program of factory inspection.

Tub & Shower - One Piece
Model T 723681 (as shown)
T 723679 (also available)

Manufactured by
 Front Line Mfg., Inc.
 Leesburg, IN

