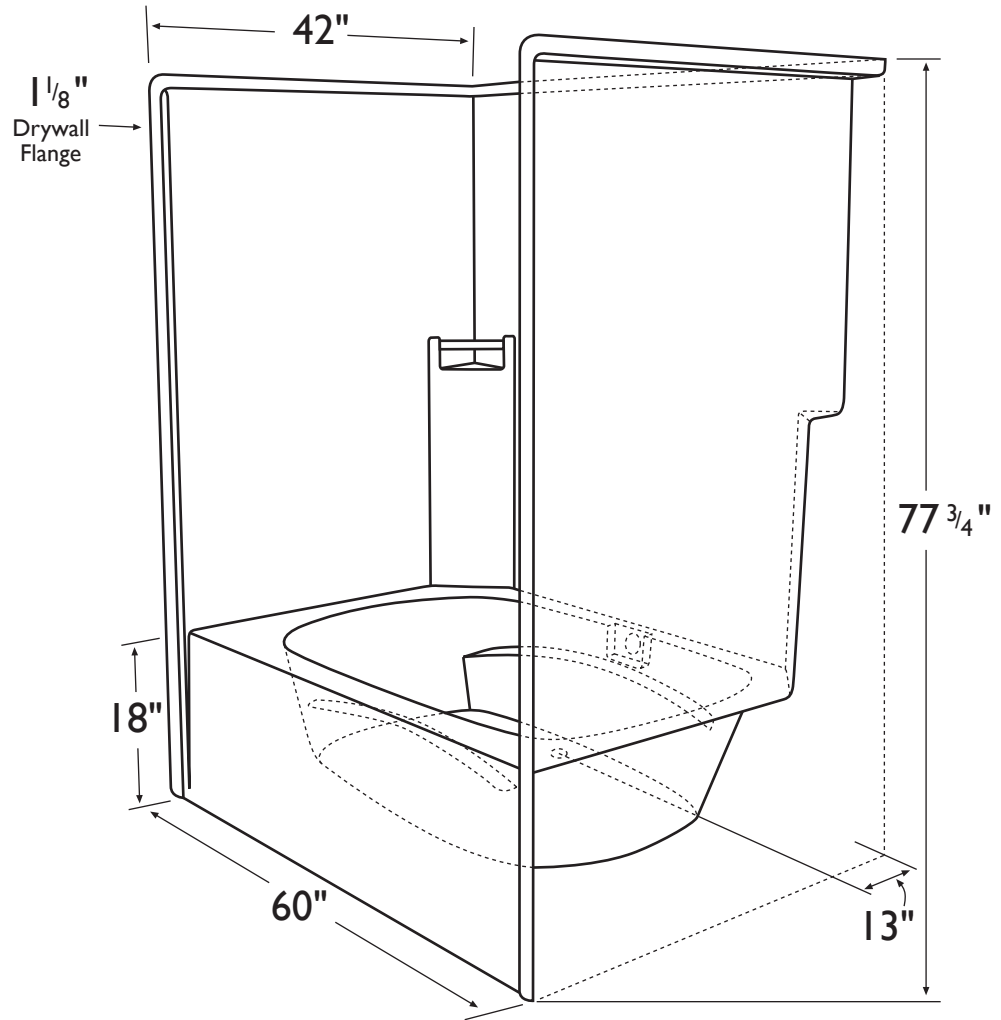


Diamond

TUB & SHOWERS



Information

Door Size:

56-3/4"w x 56-3/4"h

Drain:

30" C/L from right and left side wall

13" C/L from back

1-1/2" I.D. drain hole

Sump Size:

From bottom of sump to C/L of overflow 15"

From bottom of sump 40"w x 22"d

From bottom of overflow 48"w x 32-1/2"d

Tolerances:

+0, -1/4"

Garden Tub & Shower - One Piece Model T 604278

Certified to conform to HUD/UM73b, ANSI Z124.1, and ASTM E-162 Flame Spread Rating 200 or less and is under a program of factory inspection.

Manufactured by
Front Line Mfg., Inc.
Leesburg, IN

