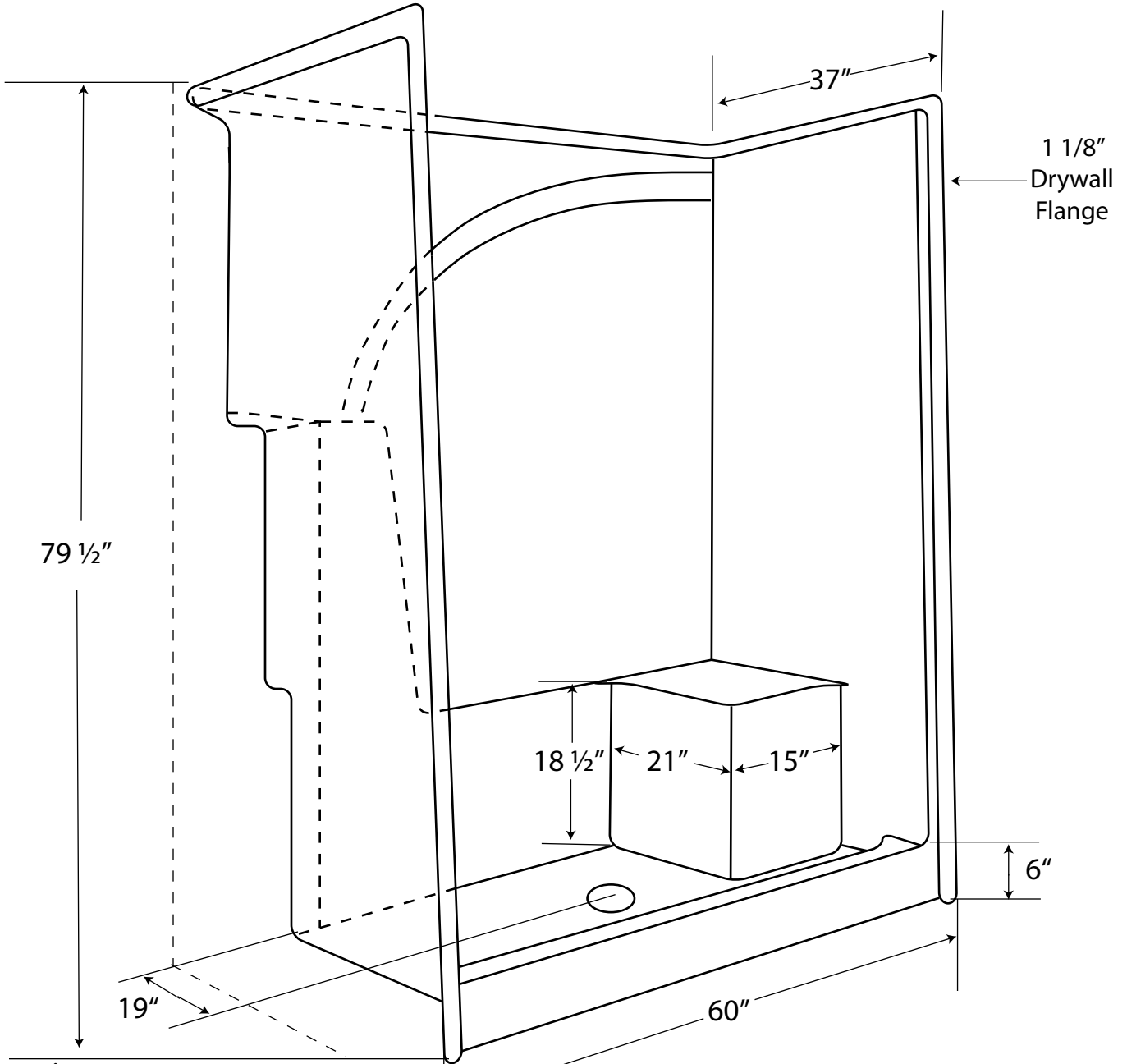


Diamond

TUB & SHOWERS



Information

Door Size:

55 3/4" w x 72" h

Drain:

30" C/L from right and left side wall

19" from back wall to C/L of drain

3 1/2" I.D. drain hole

Tolerances:

+0, -1/4"

Certified to conform to HUD/UM73b, ANSI Z124.1, and ASTM E-162 Flame Spread Rating 200 or less and is under a program of factory inspection.

Shower - One Piece
Model SRB 603779 (as shown)
SLB 603779 (also available)

Manufactured by
Front Line Mfg., Inc.
Leesburg, IN

