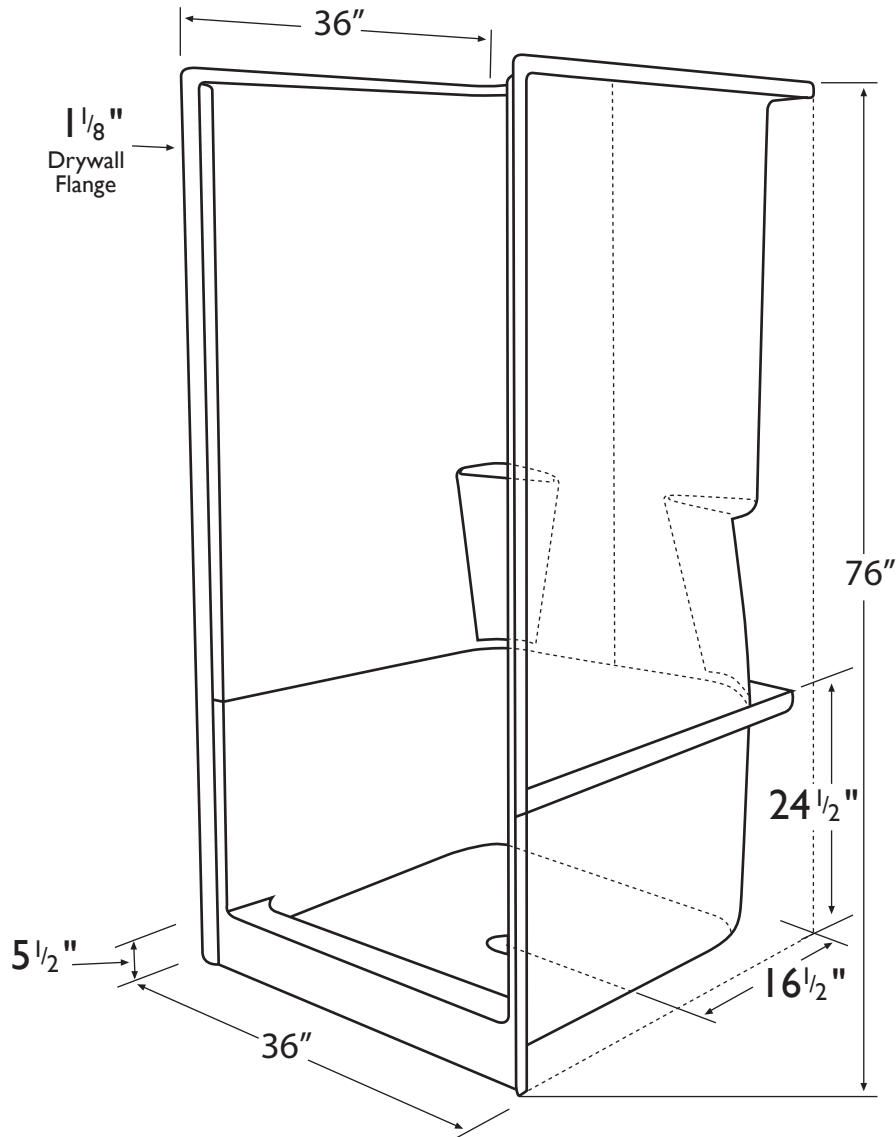


# Diamond

TUB & SHOWERS



## Information

### Door Size:

31-1/2"w x 68-3/4"h

### Drain:

18" C/L from right and left side wall  
16-1/2" from back wall to C/L of drain  
3-1/2" I.D. drain hole

### Tolerances:

+0, -1/4"

Certified to conform to HUD/UM73b, ANSI Z124.1, and ASTM E-162 Flame Spread Rating 200 or less and is under a program of factory inspection.

## Shower — Remodeler 3 Piece Model SR3 363676

Manufactured by  
Front Line Mfg., Inc.  
Leesburg, IN

