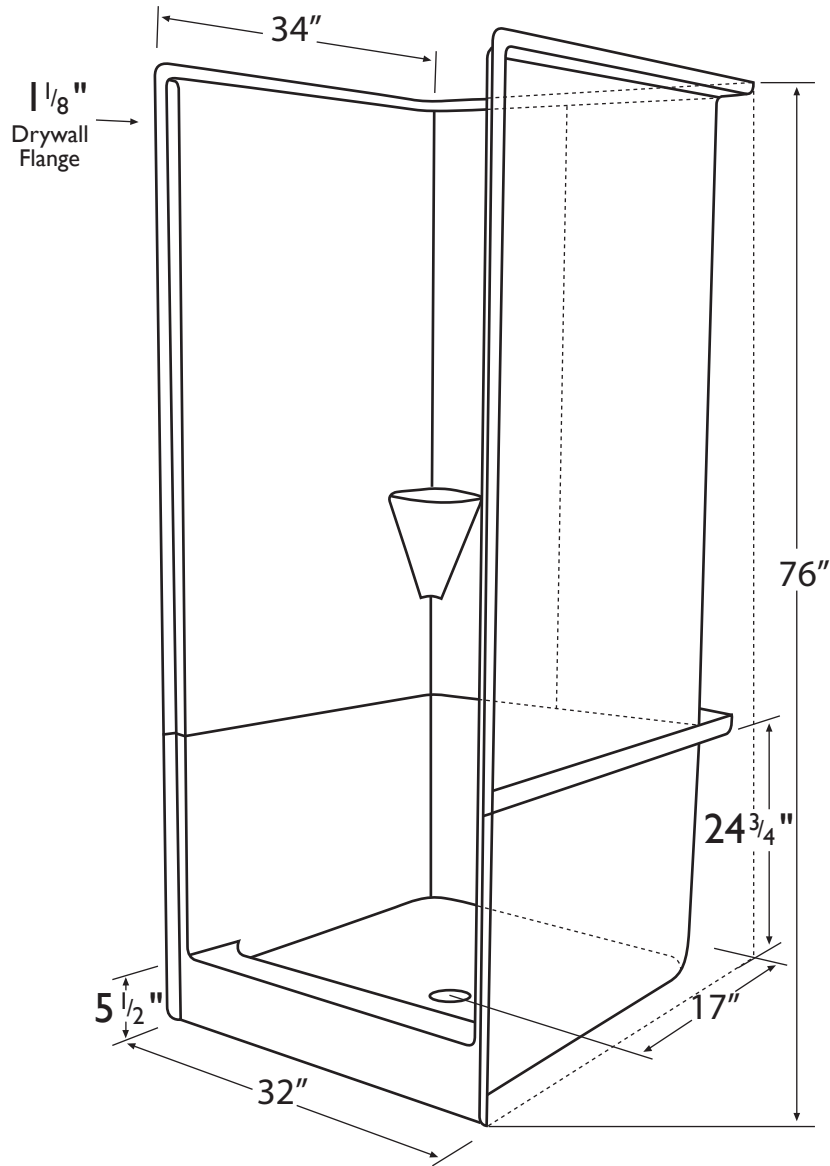


Diamond

TUB & SHOWERS



Information

Door Size:

28-3/4"w x 68-1/2"h

Drain:

16" C/L from right & left side wall

17" from back wall to C/L of drain

3-1/2" I.D. drain hole

Tolerances:

+0, -1/4"

Certified to conform to HUD/UM73b, ANSI Z124.1, and ASTM E-162 Flame Spread Rating 200 or less and is under a program of factory inspection.

Shower - Remodeler 3 Piece Model SR3 323476

Manufactured by
Front Line Mfg., Inc.
Leesburg, IN

