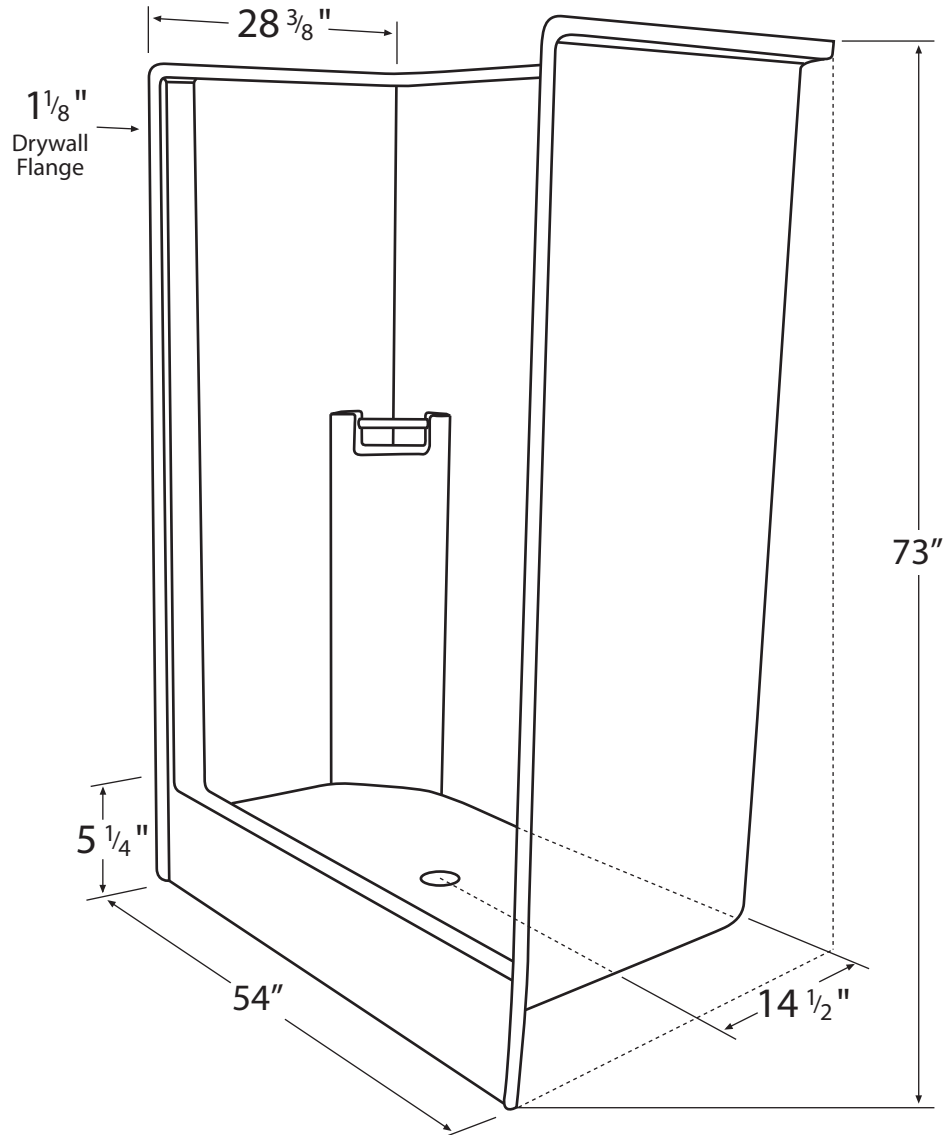


Diamond

TUB & SHOWERS



Information

Door Size:

50-1/4" w x 66" h

Drain:

27" CL from right & left side wall

14-1/2" from back wall to C/L of drain

3-1/2" I.D. drain hole

Tolerances:

+0, -1/4"

Certified to conform to HUD/UM73b, ANSI Z124.1, and ASTM E-162 Flame Spread Rating 200 or less and is under a program of factory inspection.

Shower No Seat Shallow Depth

Remodeler One Piece

Model SNS 542873

Manufactured by
Front Line Mfg., Inc.
Leesburg, IN

