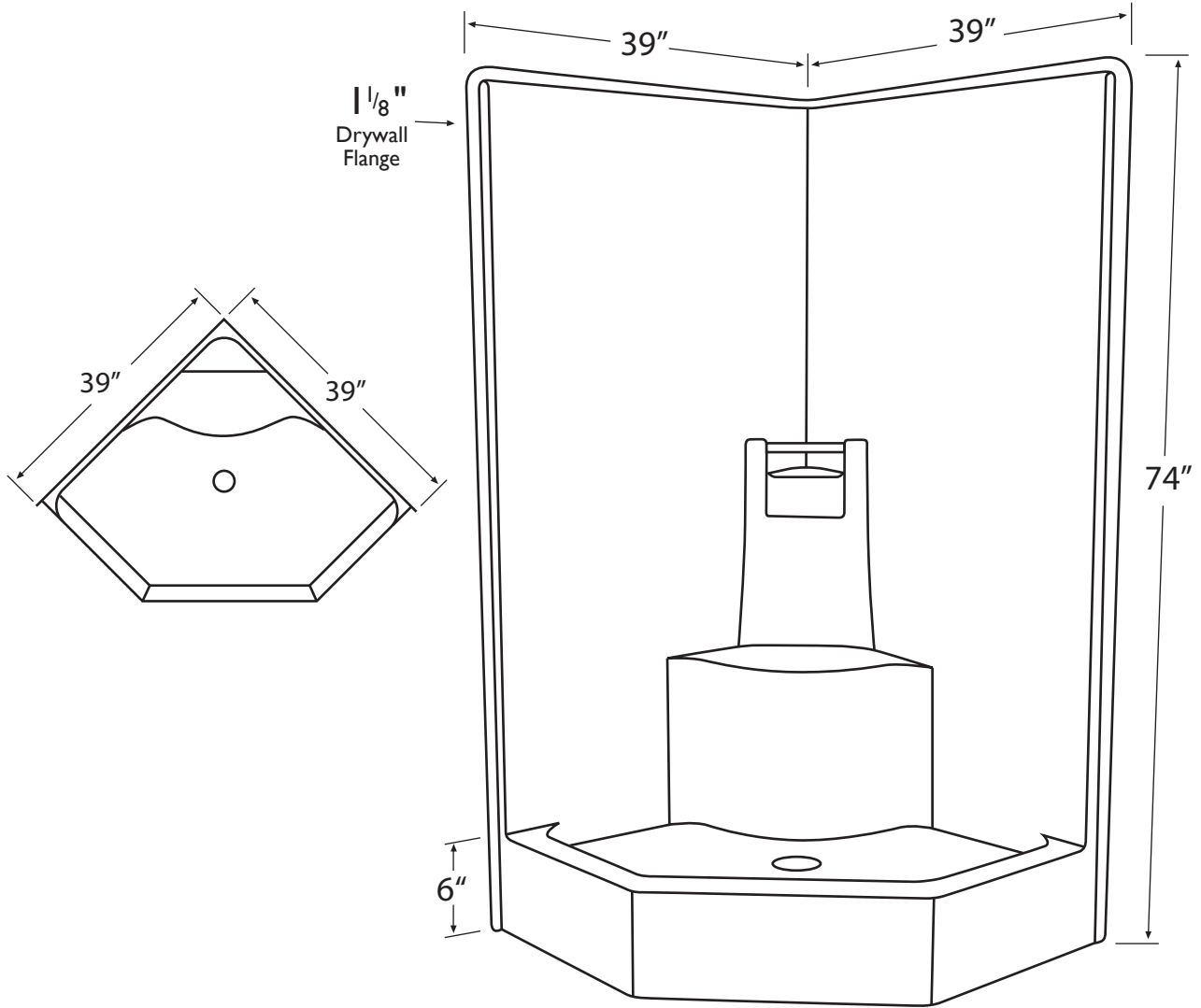


Diamond

TUB & SHOWERS



Information

Door Size:

18-1/8 x 22-3/8 x 18-1/8" w x 66" h

Drain:

17-1/4" from threshold to C/L of drain
3-1/2" I.D. drain hole

Tolerances:

+0, -1/4"

Certified to conform to HUD/UM73b, ANSI Z124.1, and ASTM E-162 Flame Spread Rating 200 or less and is under a program of factory inspection.

Neo Angle Shower Model SNAS 3974

Manufactured by
Front Line Mfg., Inc.
Leesburg, IN

