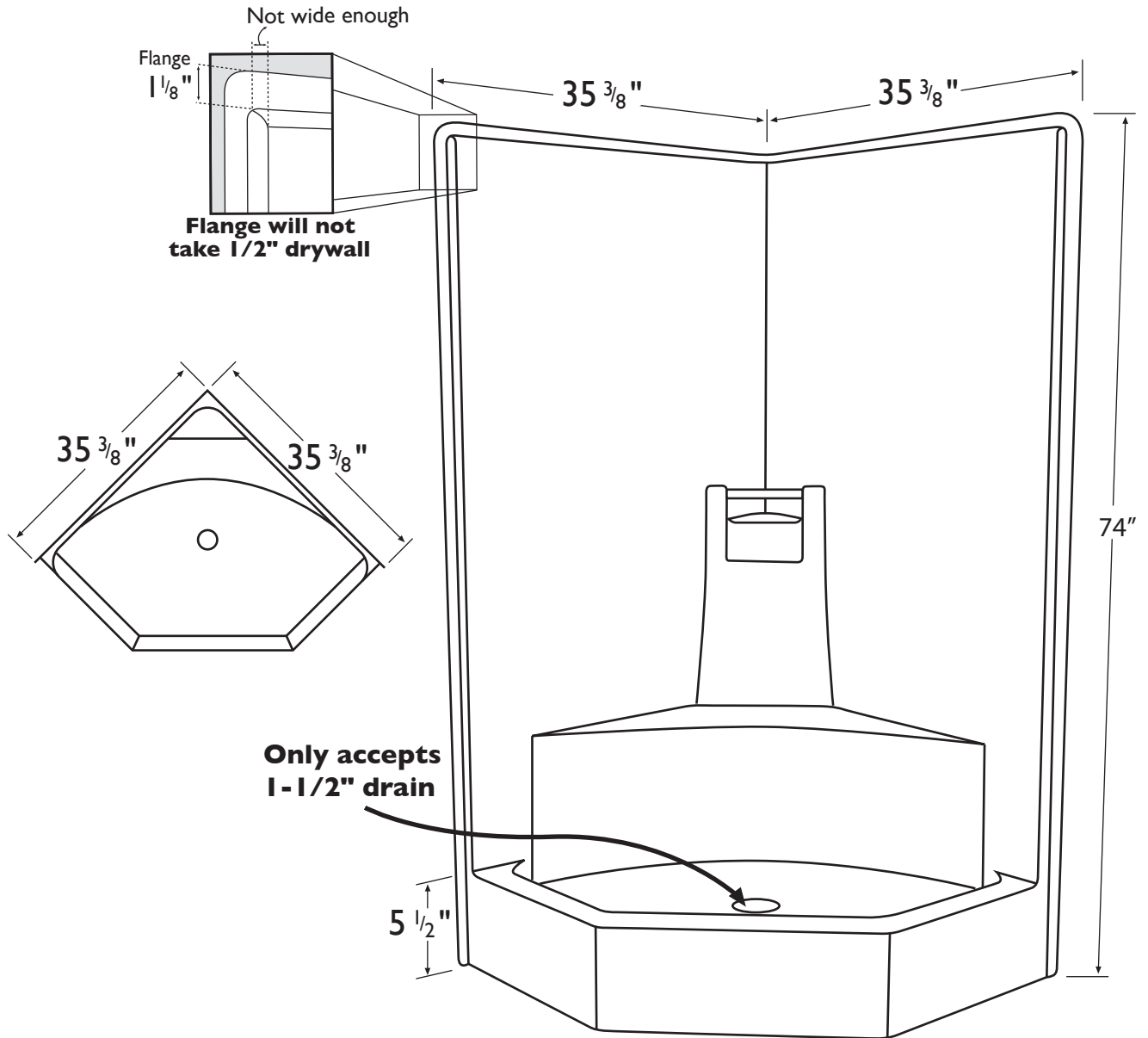


# Diamond

TUB & SHOWERS



## Information

**Door Size:**

16-7/8" x 20" x 16-7/8"w x 67-1/4"h

**Drain:**

6-3/4" from threshold to C/L of drain

2-1/8" I.D. drain hole

**Tolerances:**

+0, -1/4"

Certified to conform to HUD/UM73b, ANSI Z124.1, and ASTM E-162 Flame Spread Rating 200 or less and is under a program of factory inspection.

## Neo Angle Shower Model SNAS 3574

Manufactured by Front Line Mfg., Inc. Leesburg, IN

