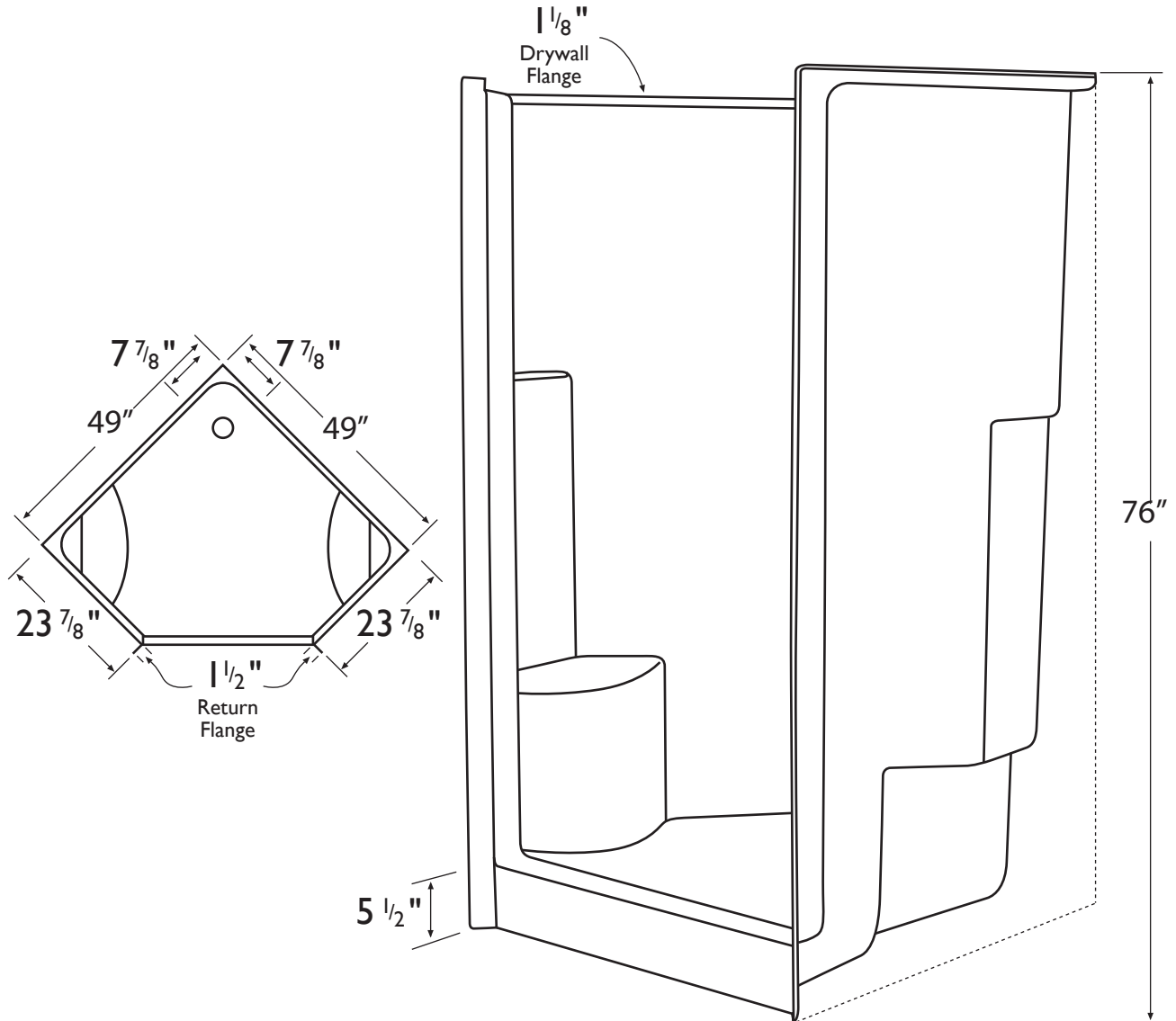


# Diamond

## TUB & SHOWERS



### Information

**Door Size:**

34-7/8" w x 69" h

**Drain:**

7-7/8" C/L from back corner (see drawing)

3-1/2" I.D. drain hole

**Tolerances:**

+0, -1/4"

### Neo Angle with 4 Framed Walls Model SNADS 492476

Certified to conform to HUD/UM73b, ANSI Z124.1, and ASTM E-162 Flame Spread Rating 200 or less and is under a program of factory inspection.

Manufactured by  
Front Line Mfg., Inc.  
Leesburg, IN

