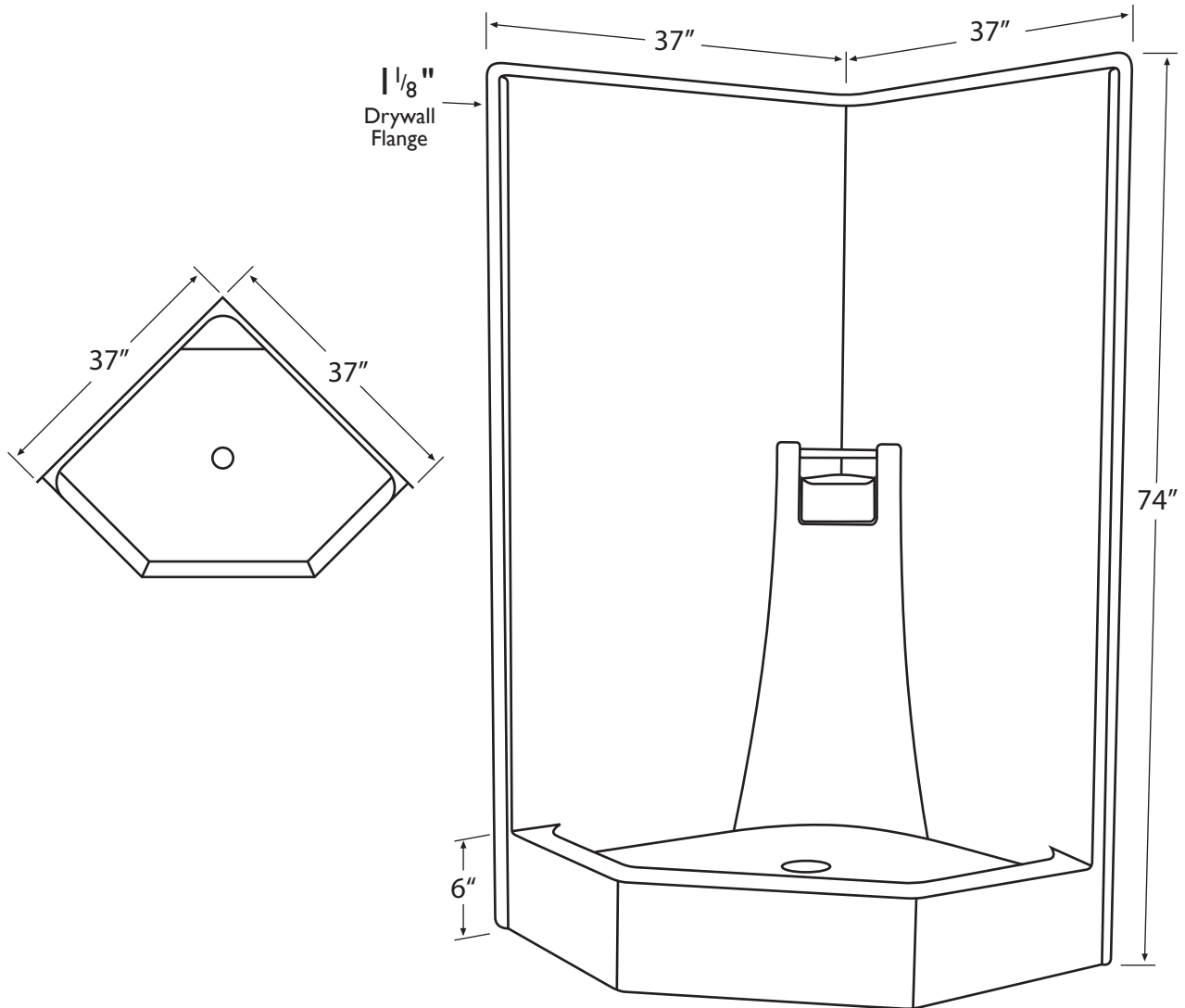


# Diamond

TUB & SHOWERS



## Information

**Door Size:**

13-1/8" x 26-1/2" x 13-1/8"w x 66-1/2"h

**Drain:**

16" from threshold to C/L of drain

3-1/2" I.D. drain hole

**Tolerances:**

+0, -1/4"

Certified to conform to HUD/UM73b, ANSI Z124.1, and ASTM E-162 Flame Spread Rating 200 or less and is under a program of factory inspection.

## Neo Angle Shower Model SNA 3774

Manufactured by  
Front Line Mfg., Inc.  
Leesburg, IN

