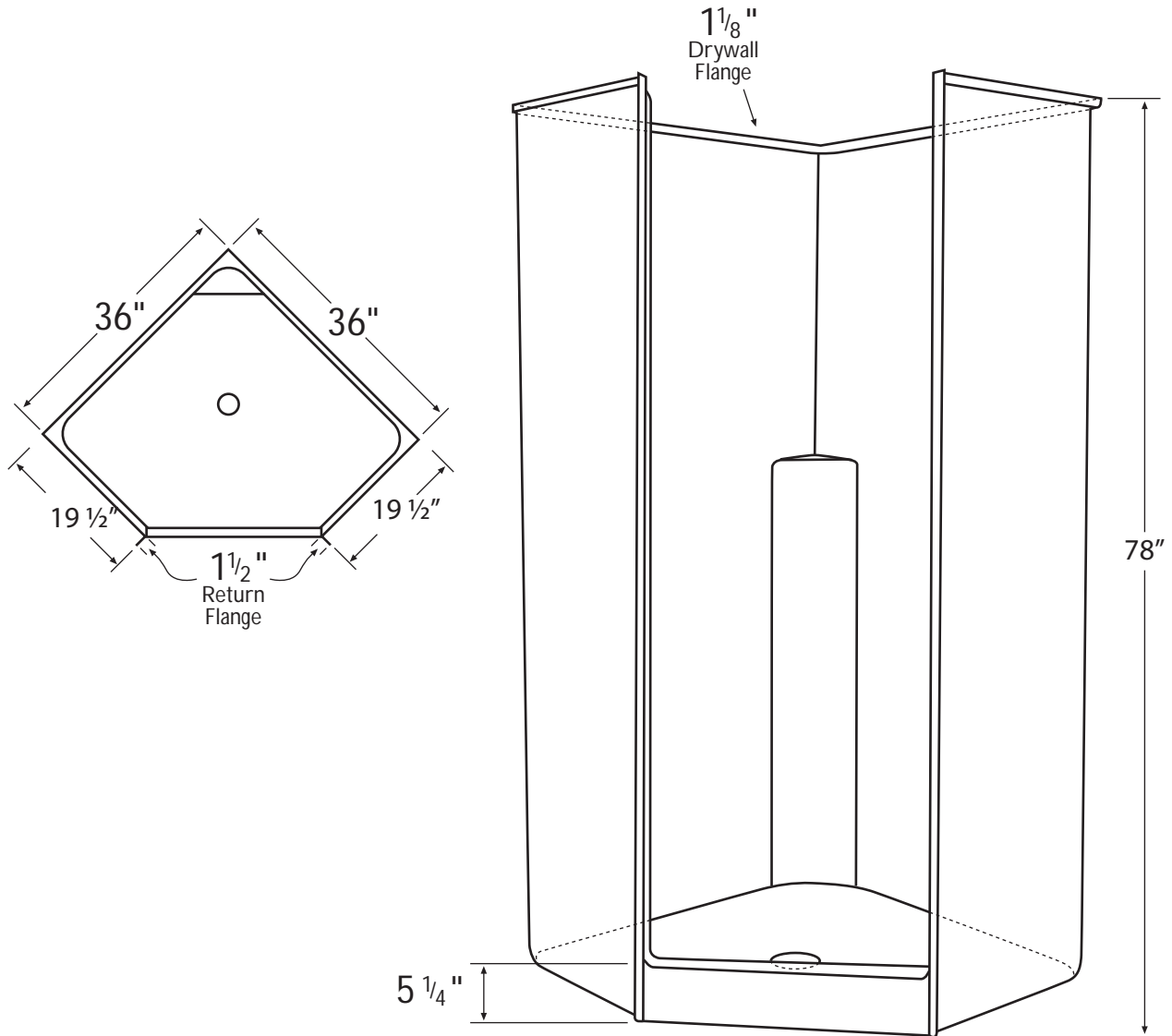


# Diamond

TUB & SHOWERS



## Information

**Door Size:**

23-1/8"w x 71-1/4"h

**Drain:**

18" C/L from side wall

18" from back wall to C/L of drain

3" I.D. drain hole

**Tub Apron/Shower****Threshold:**

Height off of floor 5-1/4"

**Tolerances:**

## Neo Angle Shower with 4 Framed Walls Model SNA 361978

Certified to conform to HUD/UM73b, ANSI Z124.1, and ASTM E-162 Flame Spread Rating 200 or less and is under a program of factory inspection.

Manufactured by  
Front Line Mfg., Inc.  
Leesburg, IN

