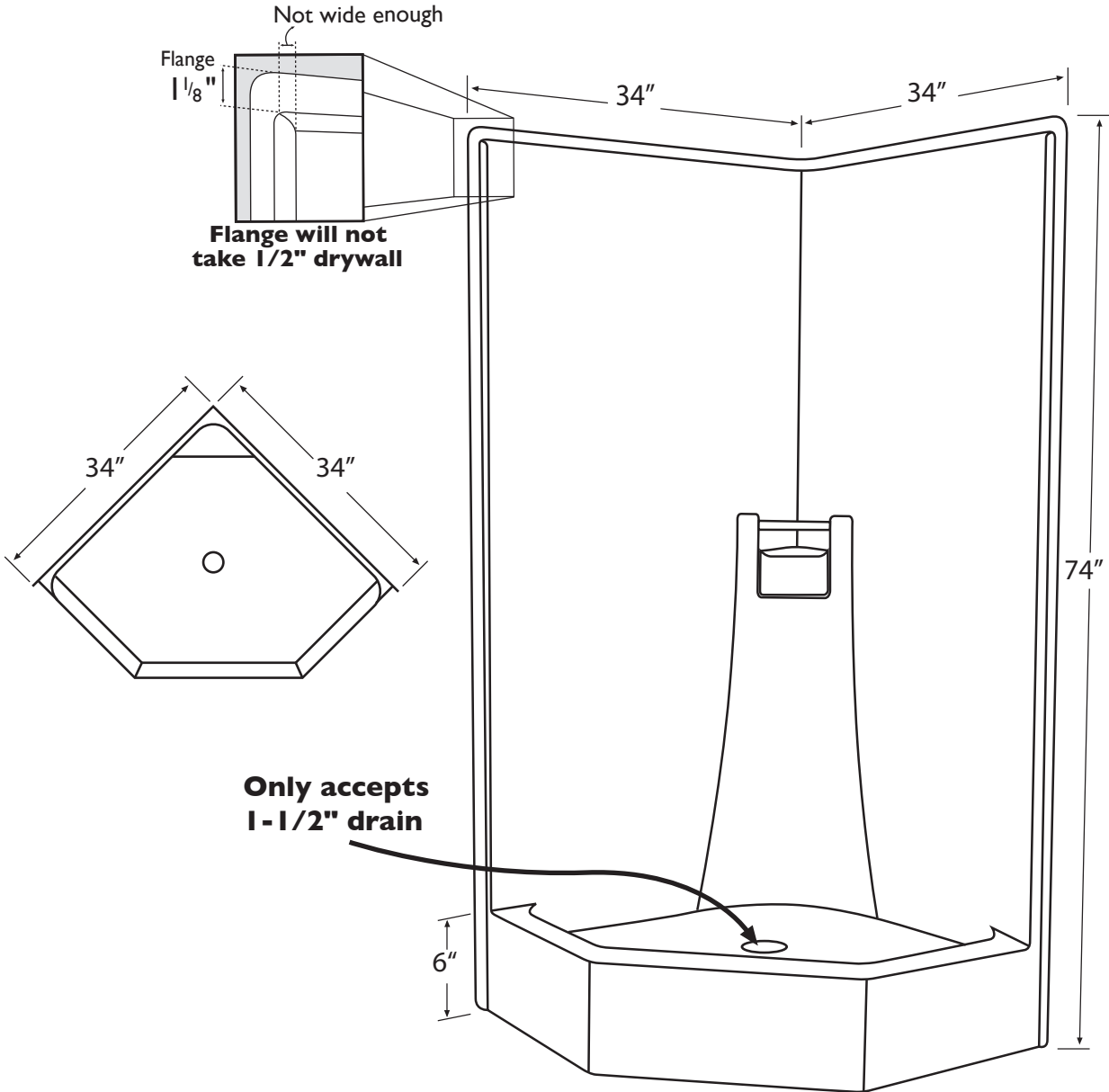


Diamond

TUB & SHOWERS



Information

Door Size:

13" x 21-1/4" x 13"w x 66-1/4"h

Drain:

16" from front wall to C/L of drain

2-1/8" I.D. drain hole

Tolerances:

+0, -1/4"

Certified to conform to HUD/UM73b, ANSI Z124.1, and ASTM E-162 Flame Spread Rating 200 or less and is under a program of factory inspection.

Neo Angle Shower Model SNA 3474

Manufactured by Front Line Mfg., Inc. Leesburg, IN

