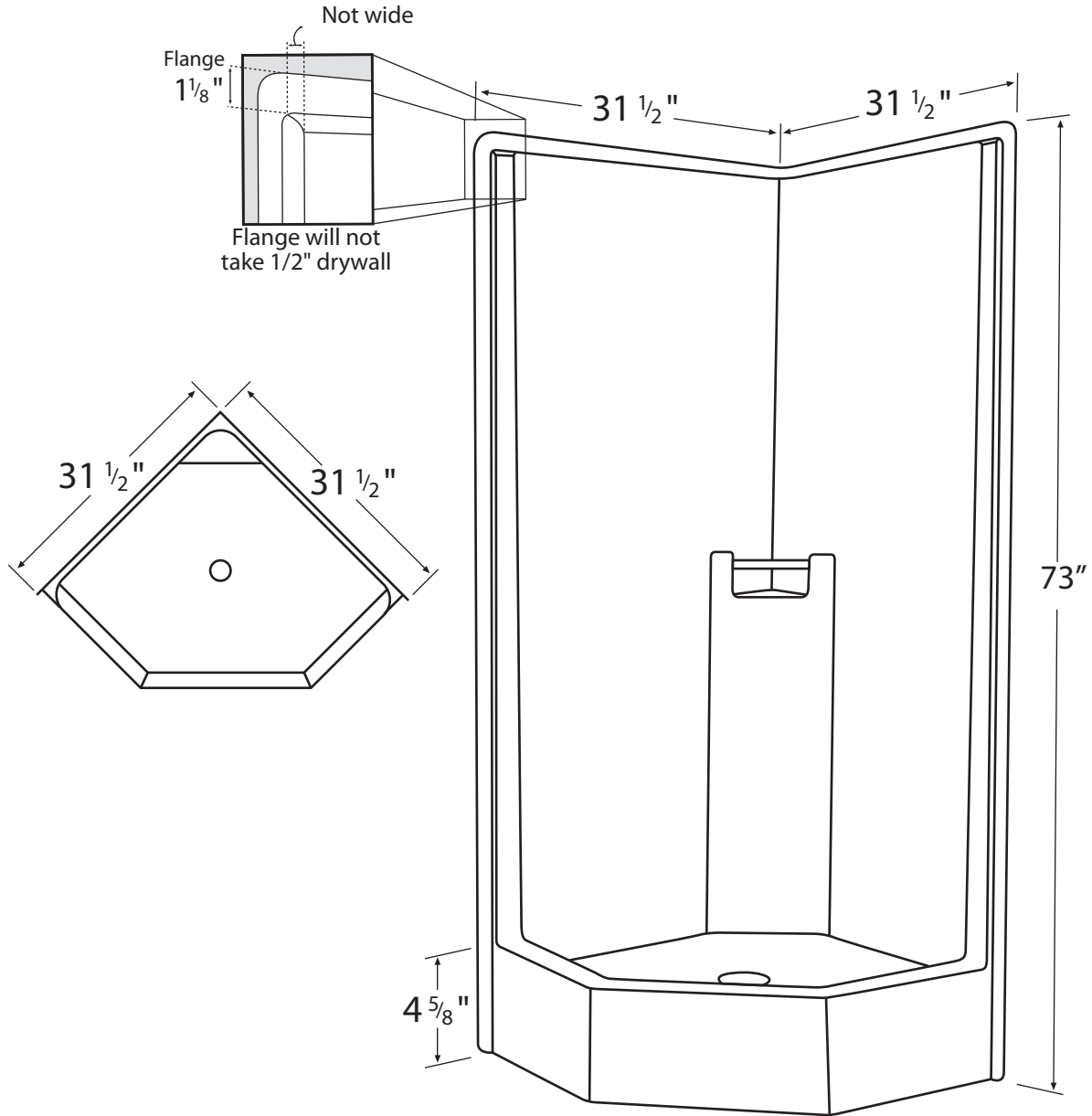


Diamond

TUB & SHOWERS



Information

Door Size:

15-3/8" x 18" x 15-3/8"w x 66-1/2"h

Drain:

15" from threshold wall to C/L of drain

2-1/8" I.D. drain hole

Tolerances:

+0, -1/4"

Certified to conform to

HUD/UM73b, ANSI

Z124.1, and ASTM

E-162 Flame Spread

Rating 200 or less and

is under a program of

factory inspection.

Neo Angle Shower Model SNA 3273

Manufactured by
Front Line Mfg., Inc.
Leesburg, IN

