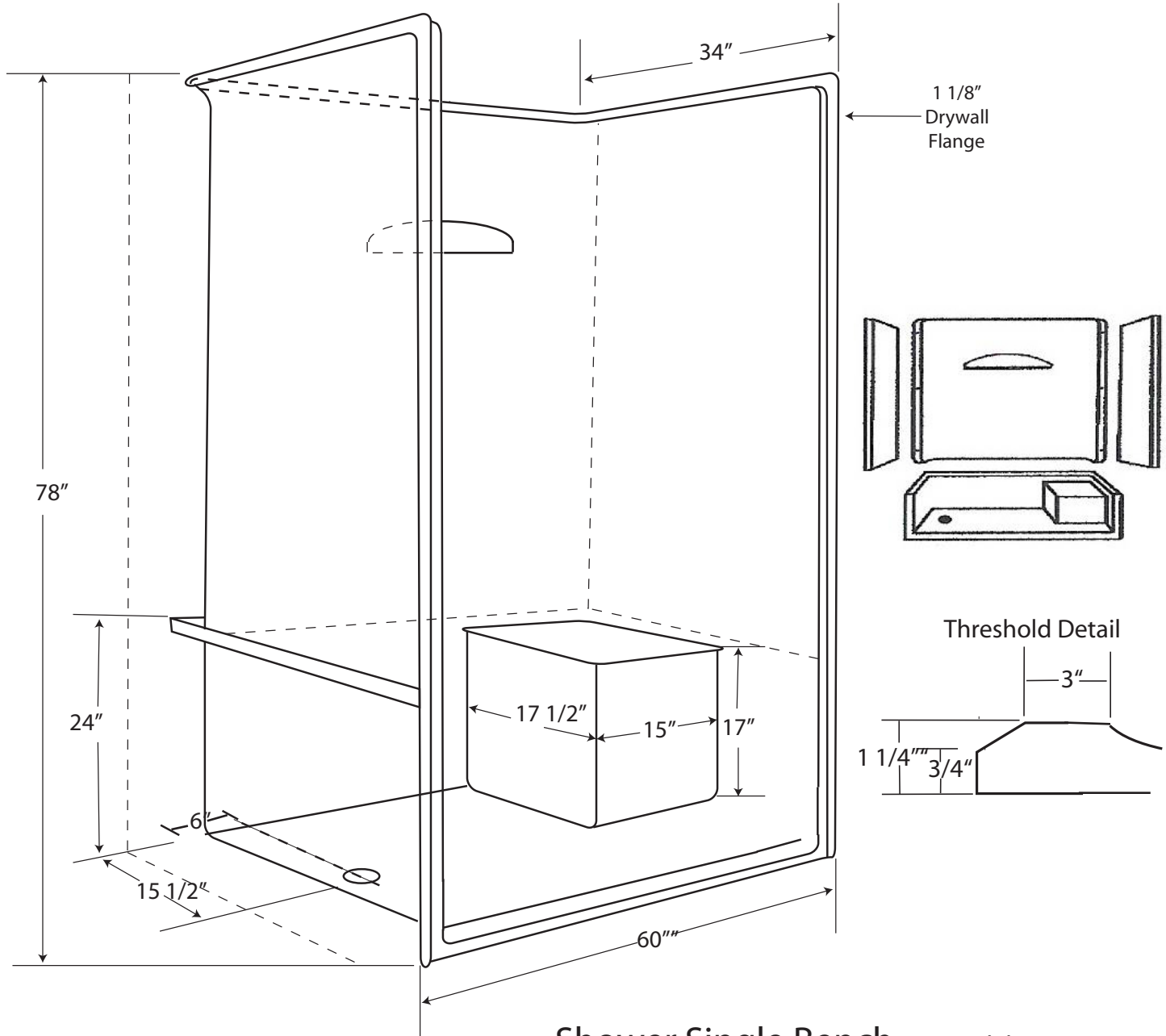


Diamond

TUB & SHOWERS



Information

Door Size:

54 1/2" w x 75 1/2" h

Drain:

6" CL from end wall

15 1/2" from back wall to C/L of drain

3 1/2" I.D. drain hole

Tolerances:

+0, -1/4"

Certified to conform to HUD/UM73b, ANSI Z124.1, and ASTM E-162 Flame Spread Rating 200 or less and is under a program of factory inspection.

Shower Single Bench - Remodeler 4 Piece
Model SHRRB4 603478 (as shown)
SHRLB4 603478 (also available)

Manufactured by
Front Line Mfg., Inc.
Leesburg, IN

