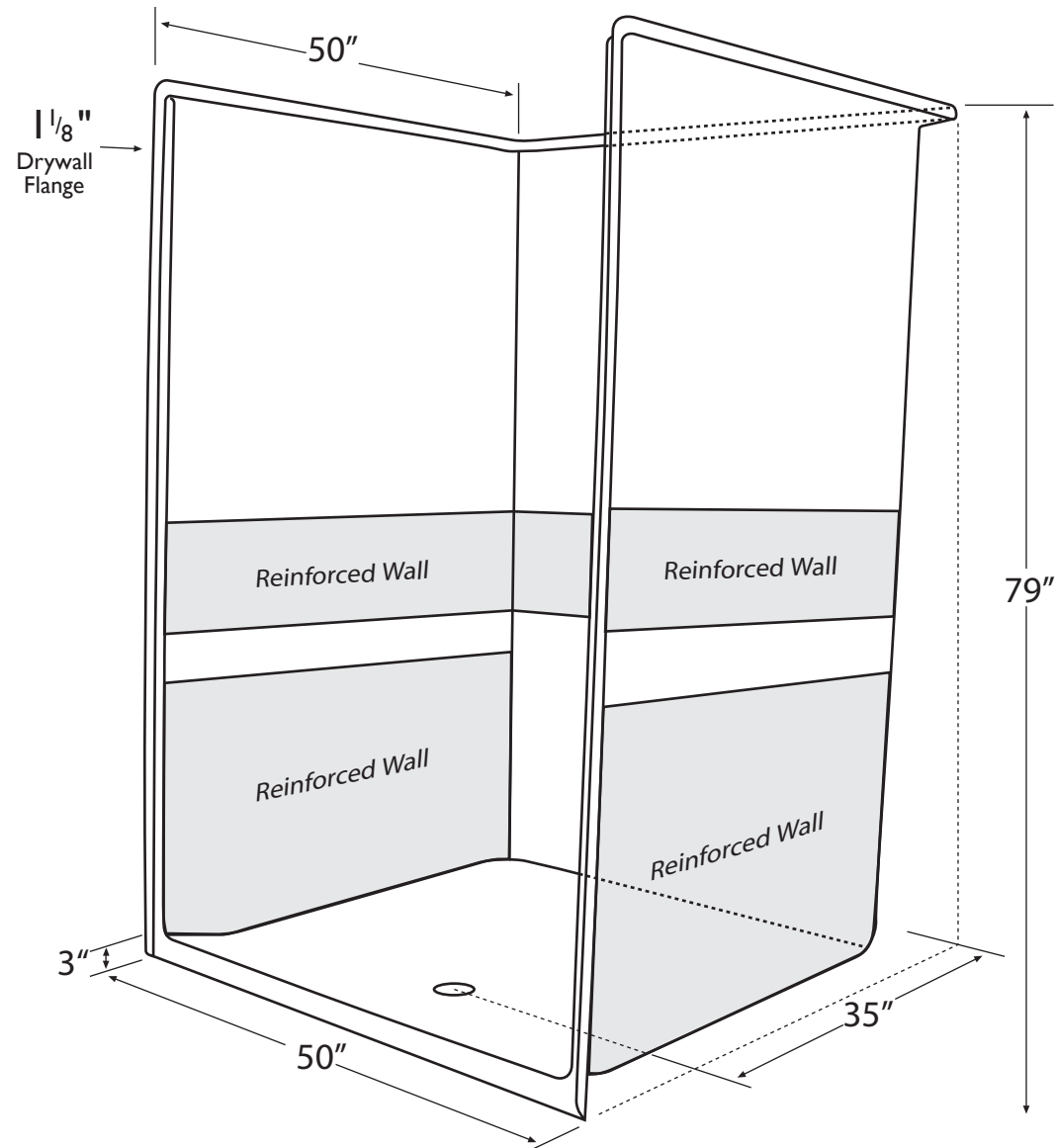


# Diamond

TUB & SHOWERS



## Information

### Door Size:

46-3/4" w x 74-1/4" h

### Drain:

25" C/L from right and left side wall

35" from back wall to C/L of drain

3-1/2" I.D. drain hole

### Tolerances:

+0, -1/4"

## Handicapped -Shower Only - One Piece Model SH 505079

Certified to conform to HUD/UM73b, ANSI Z124.1, and ASTM E-162 Flame Spread Rating 200 or less and is under a program of factory inspection.

Manufactured by  
Front Line Mfg., Inc.  
Leesburg, IN

