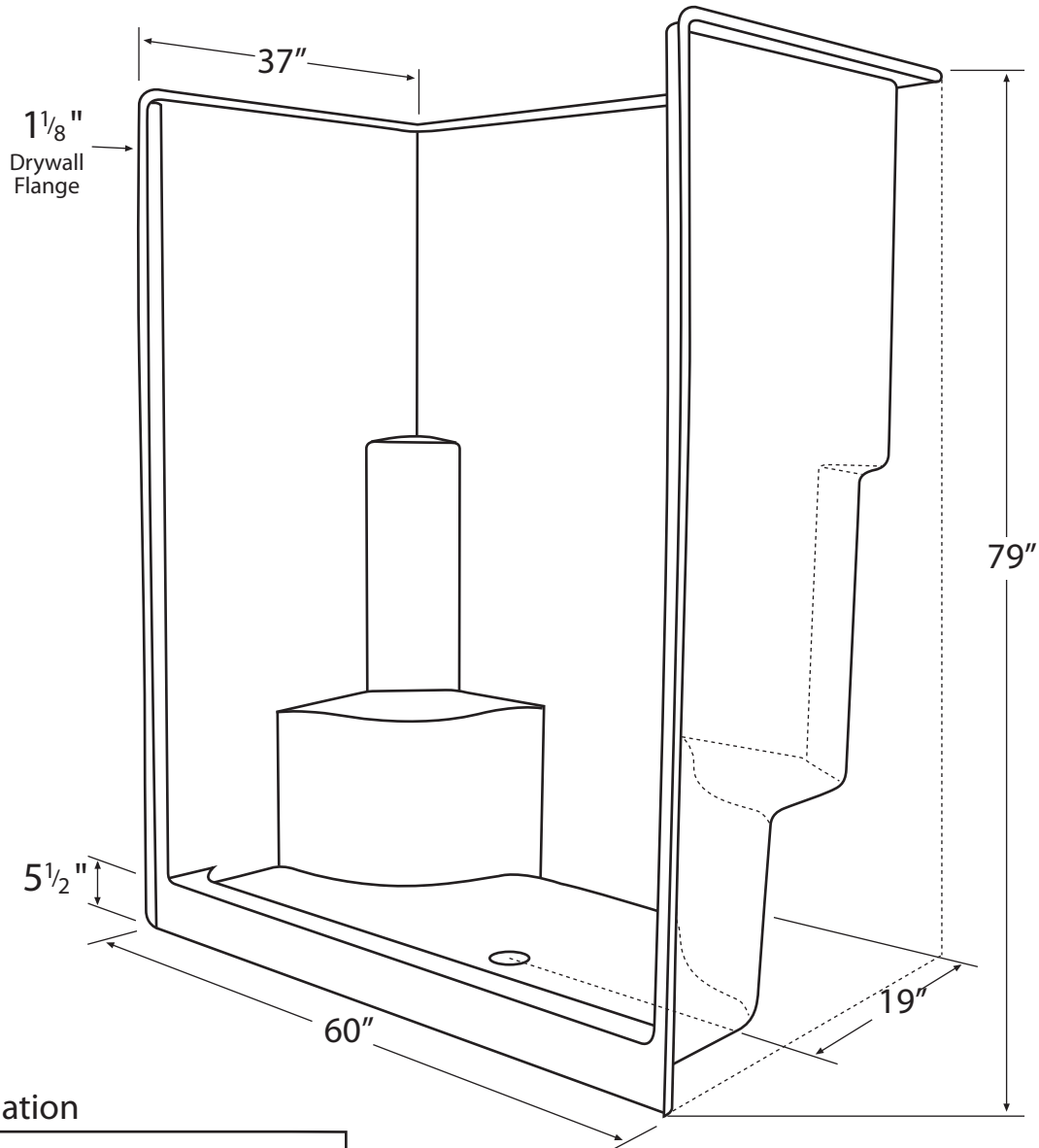


# Diamond

TUB & SHOWERS



## Information

Door Size:  
56" w x 72" h  
Drain:  
30" CL from right & left side wall  
19" from back wall to C/L of drain  
3-1/2" I.D. drain hole  
Tolerances:  
+0, -1/4"

Certified to conform to  
HUD/UM73b, ANSI  
Z124.1, and ASTM  
E-162 Flame Spread  
Rating 200 or less and  
is under a program of  
factory inspection.

## Shower Double Seat - One Piece Model SDS 603779

Manufactured by  
Front Line Mfg., Inc.  
Leesburg, IN

