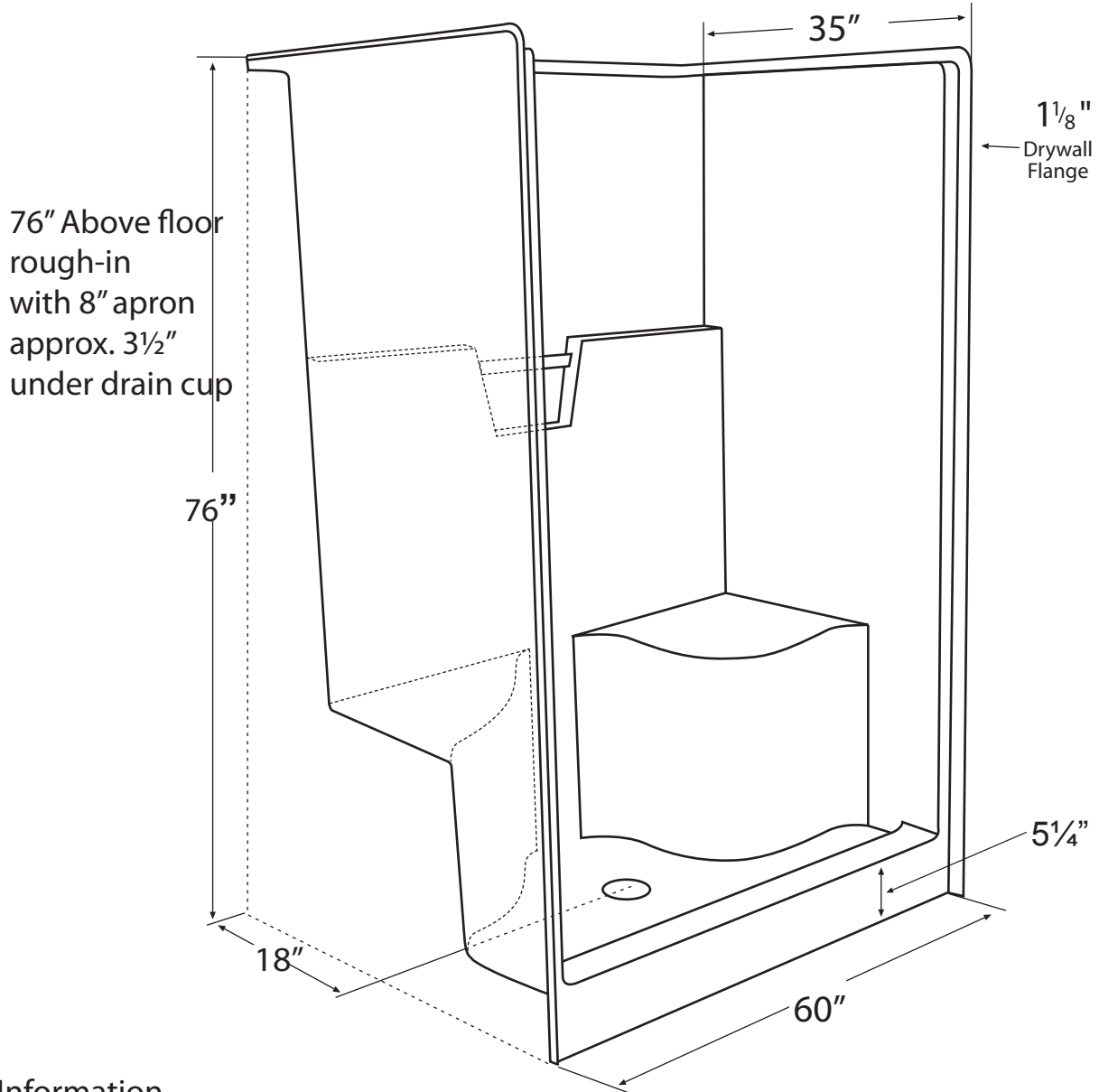


Diamond

TUB & SHOWERS



Information

Door Size:
53 3/4" w x 66 3/4" h
Drain
30" C/L from right and left side wall
18" C/L from back
3-1/2" I.D. drain hole
Tolerances:
+0, -1/4"

Certified to conform to HUD/UM73b, ANSI Z124.1, and ASTM E-162 Flame Spread Rating 200 or less and is under a program of factory inspection.

Shower — One Piece
Model SDS 603573
SDS 603576

Manufactured by
Front Line Mfg., Inc.
Leesburg, IN

