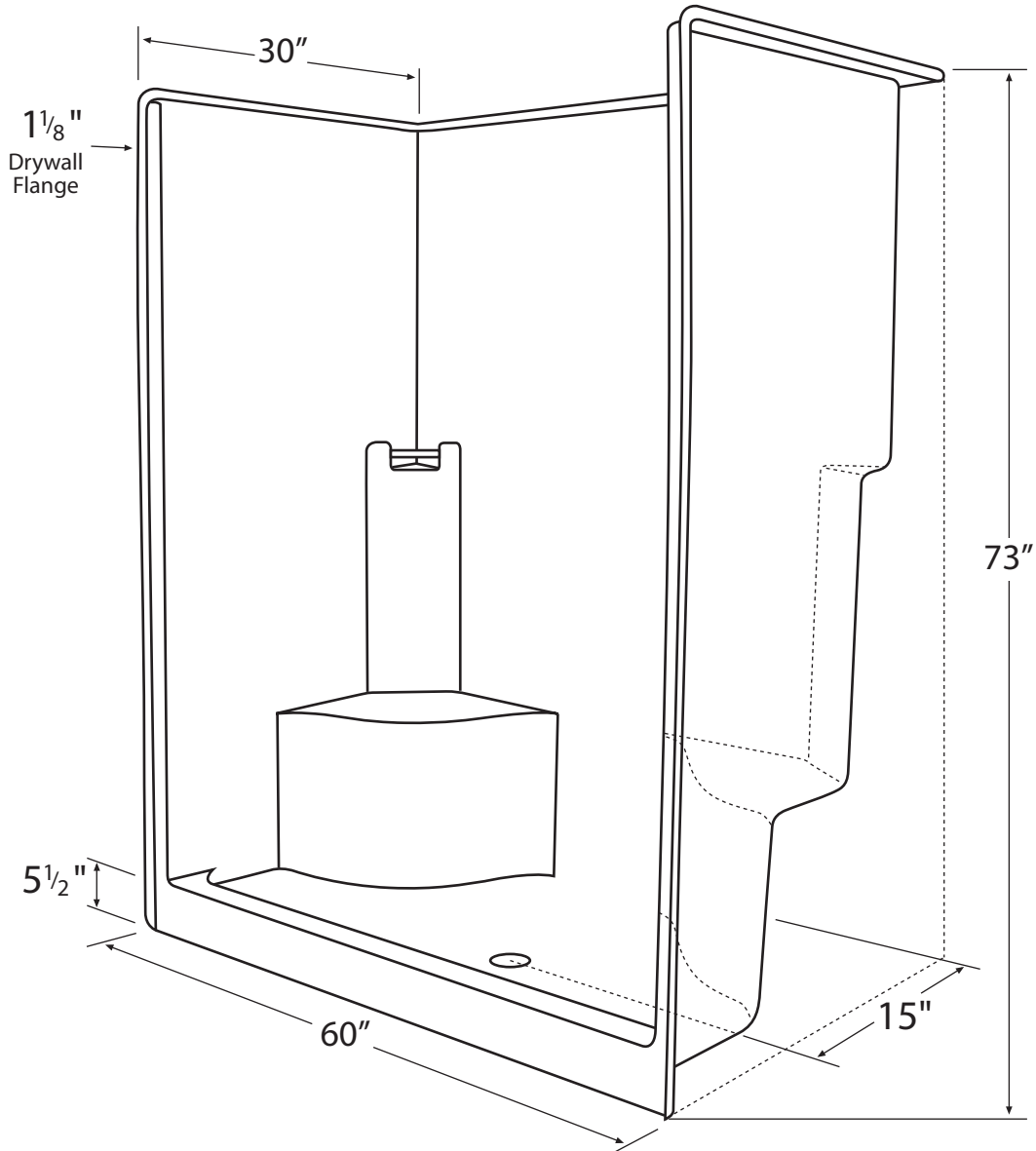


Diamond

TUB & SHOWERS



Information

Door Size:
56-5/8"w x 66"h
Drain:
30" from right and left side wall
15" C/L from back
3-1/2" I.D. drain hole
Tolerances:
+0, -1/4"

Certified to conform to
HUD/UM73b, ANSI
Z124.1, and ASTM
E-162 Flame Spread
Rating 200 or less and
is under a program of
factory inspection.

Shower Shallow Depth-Remodeler One Piece
Model SDS 603073

Manufactured by
Front Line Mfg., Inc.
Leesburg, IN

