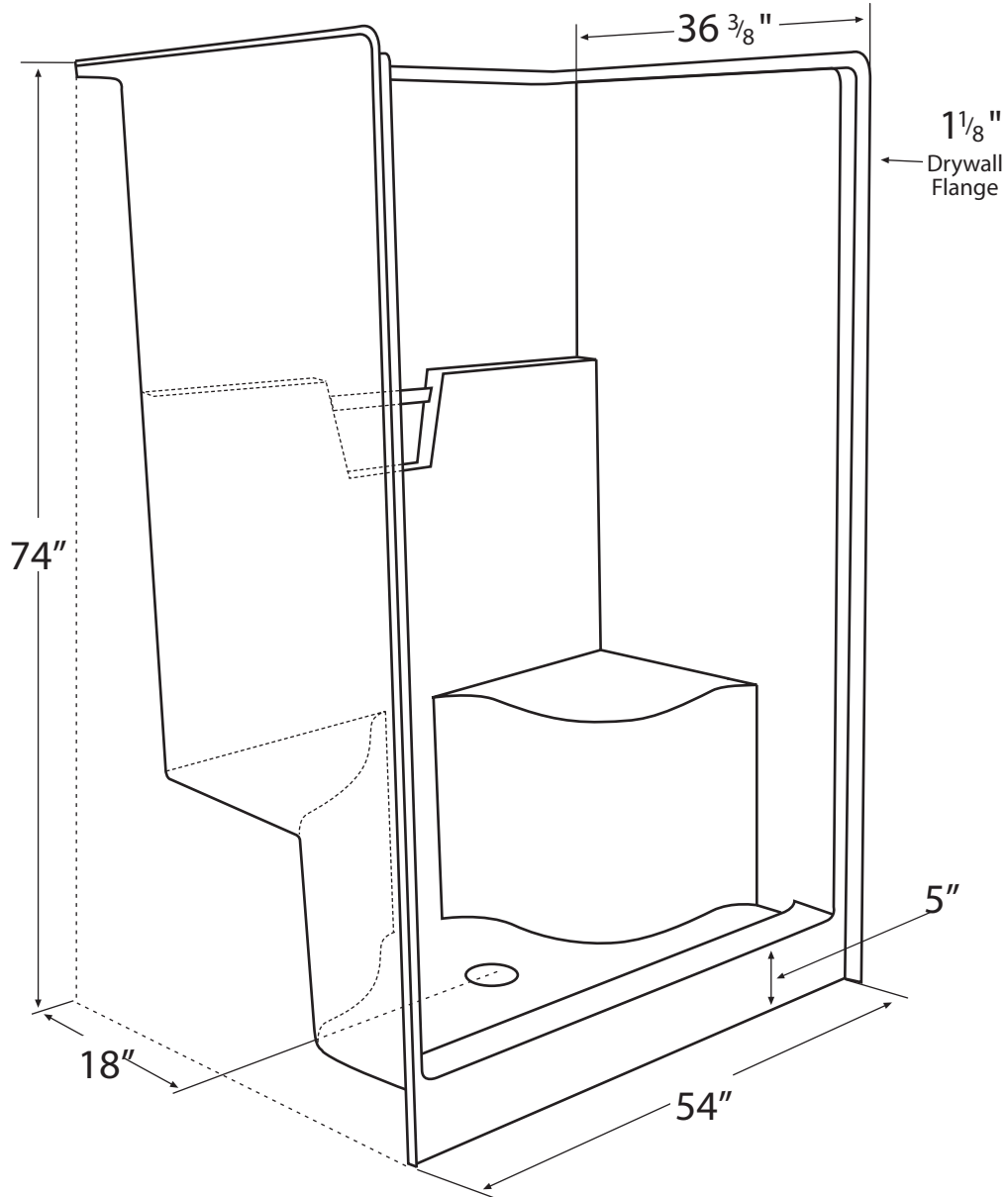


Diamond

TUB & SHOWERS



Information

Door Size:
51-1/4"w x 67"h
Drain:
27" C/L from right and left side wall
18" C/L from back
3-1/2" I.D. drain hole
Tolerances:
+0, -1/4"

Certified to conform to
HUD/UM73b, ANSI
Z124.1, and ASTM
E-162 Flame Spread
Rating 200 or less and
is under a program of
factory inspection.

Shower — One Piece
Model SDS 543674

Manufactured by
Front Line Mfg., Inc.
Leesburg, IN

