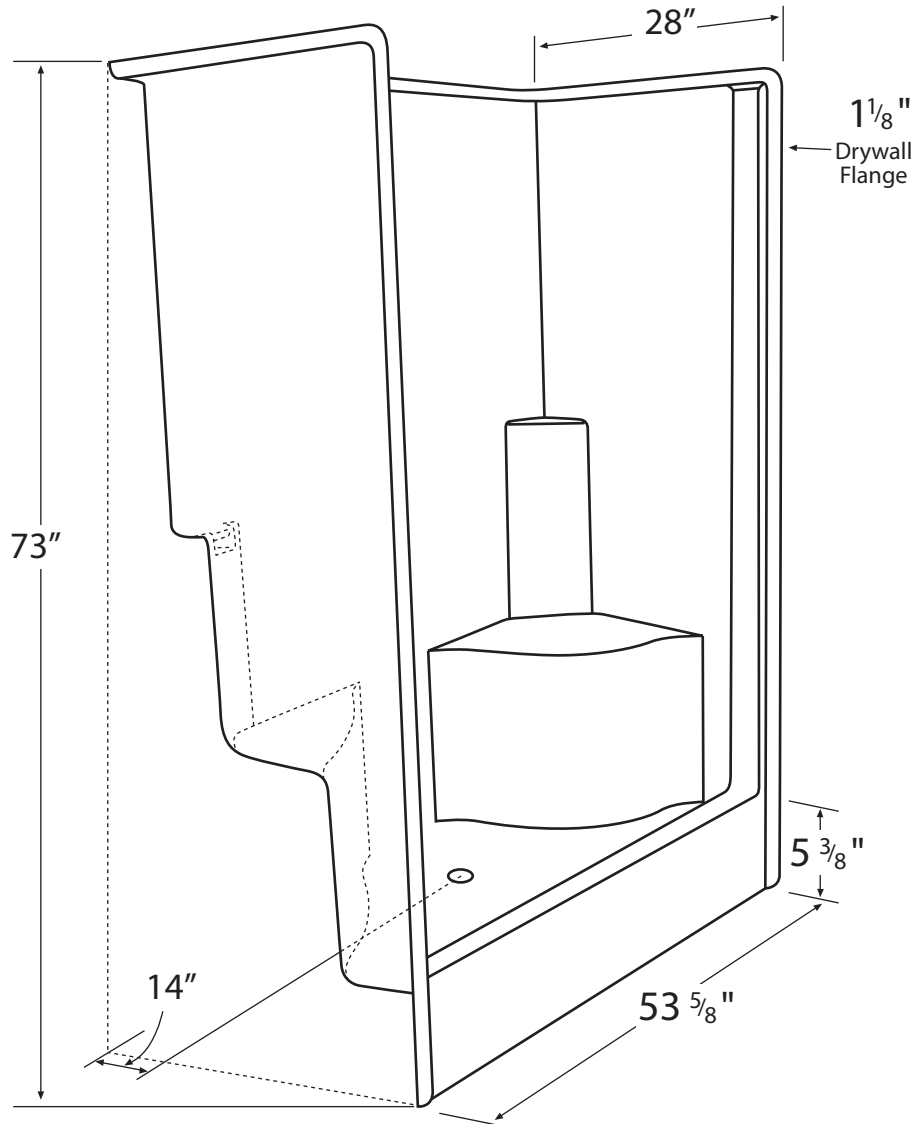


Diamond

TUB & SHOWERS



Information

Door Size:
50-3/8" w x 66-1/4" h
Drain:
C/L from right & left side wall
14" from back wall to C/L of drain
3-1/2" I.D. drain hole
Tolerances:
+0, -1/4"

Certified to conform to
HUD/UM73b, ANSI
Z124.1, and ASTM
E-162 Flame Spread
Rating 200 or less and
is under a program of
factory inspection.

Shower Shallow Depth Remodeler One Piece
Model SDS 542873

Manufactured by
Front Line Mfg., Inc.
Leesburg, IN

