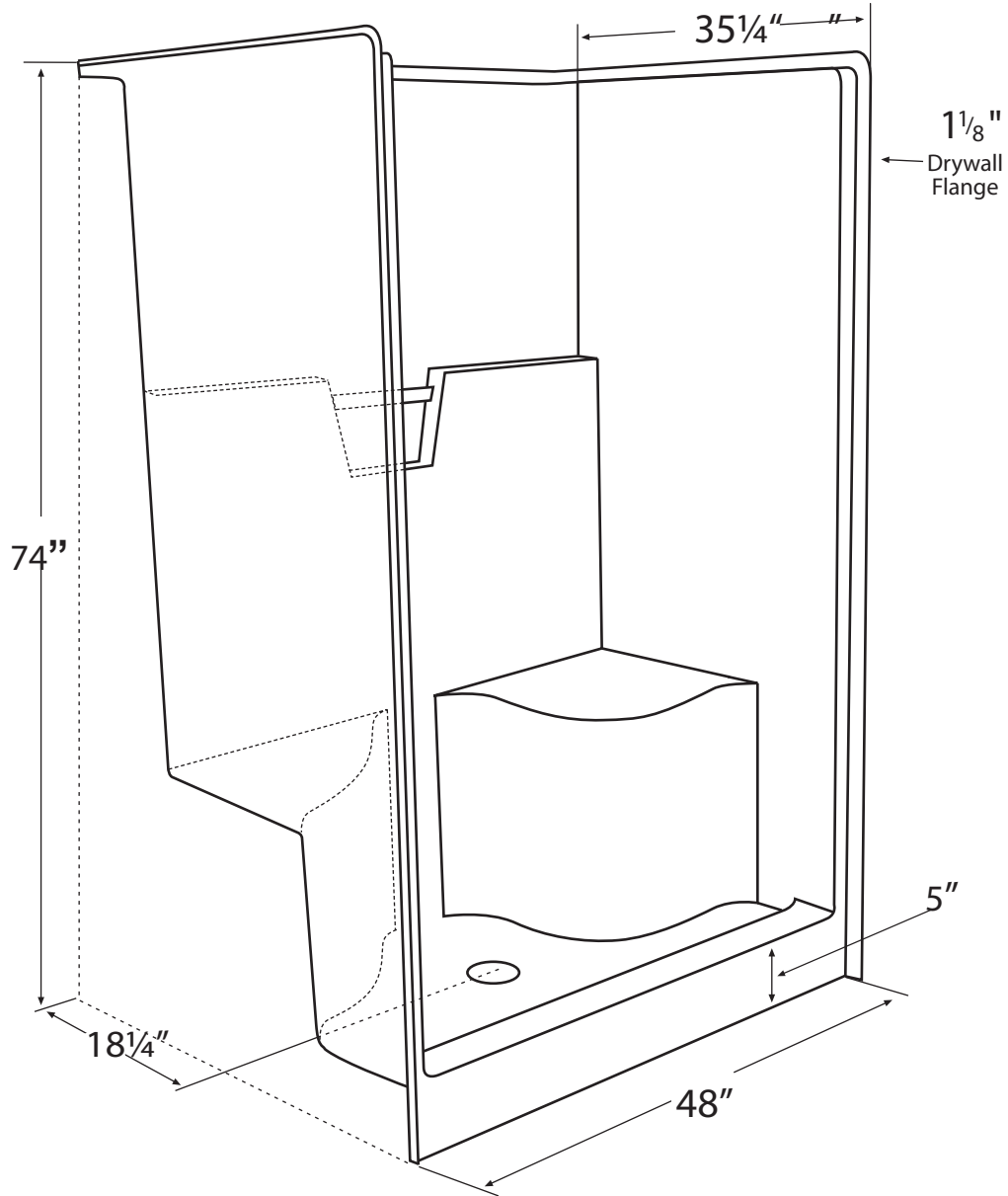


Diamond

TUB & SHOWERS



Information

Door Size:

43 5/8" w x 66 3/4" h

Drain:

24" C/L from left and right side wall

18 1/4" from back wall to C/L of drain

3-1/2" I.D. drain hole

Tolerances: +0, -1/4"

Certified to conform to HUD/UM73b, ANSI Z124.1, and ASTM E-162 Flame Spread Rating 200 or less and is under a program of factory inspection.

Shower Double Seat — One Piece Model SDS 483574

Manufactured by
Front Line Mfg., Inc.
Leesburg, IN



11/05