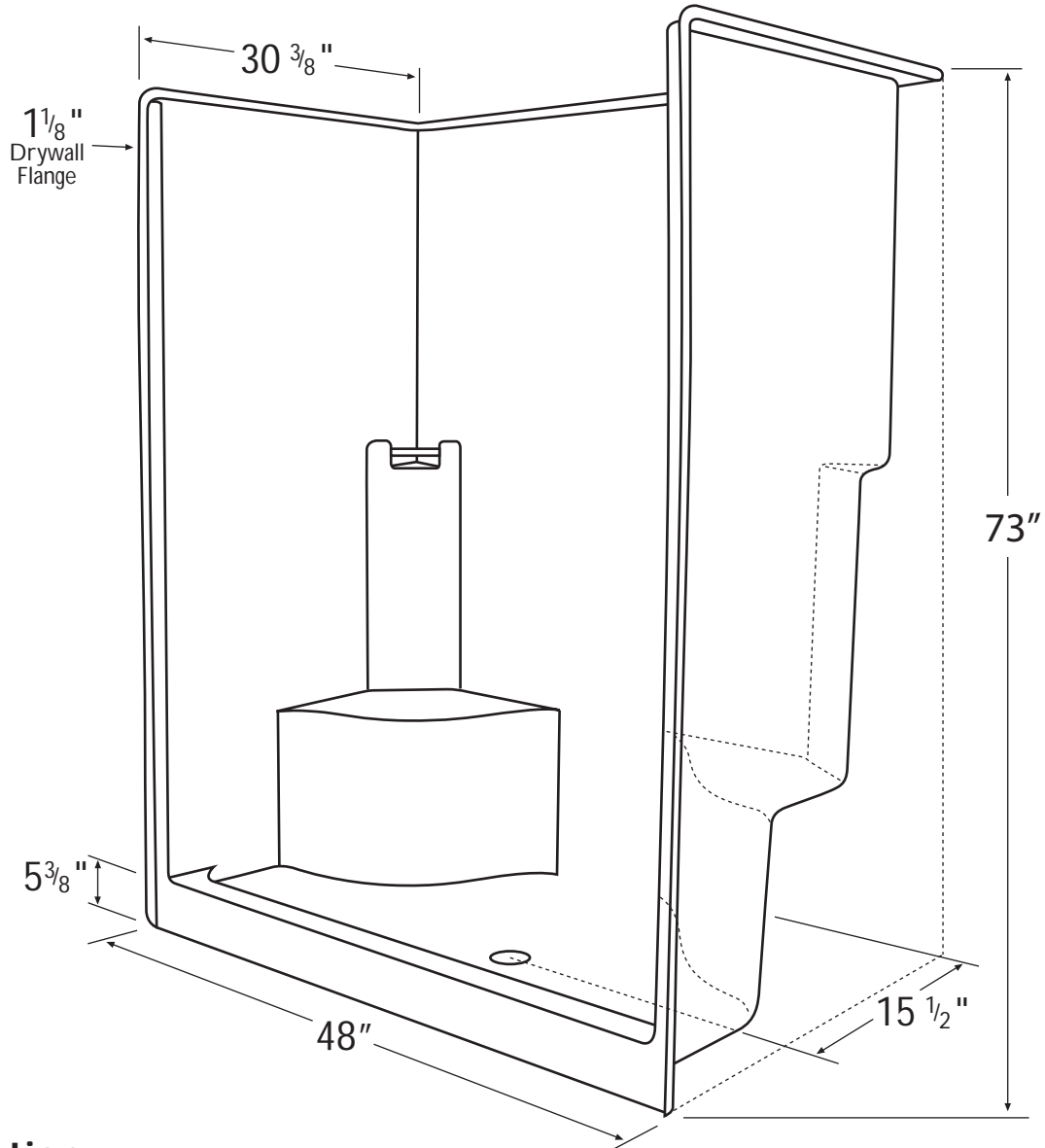


Diamond

TUB & SHOWERS



Information

Door Size:
44"w x 66"h
Drain:
24" C/L from right and left side wall
15-1/2"C/L from back
3-1/2" I.D. drain hole
Tolerances:
+0 - 1/4"

Remodeler One Piece Shower Shallow Depth Model SDS 483073

Certified to conform to HUD/UM73b, ANSI Z124.1, and ASTM E-162 Flame Spread Rating 200 or less and is under a program of factory inspection.

Manufactured by
Front Line Mfg., Inc.
Leesburg, IN

