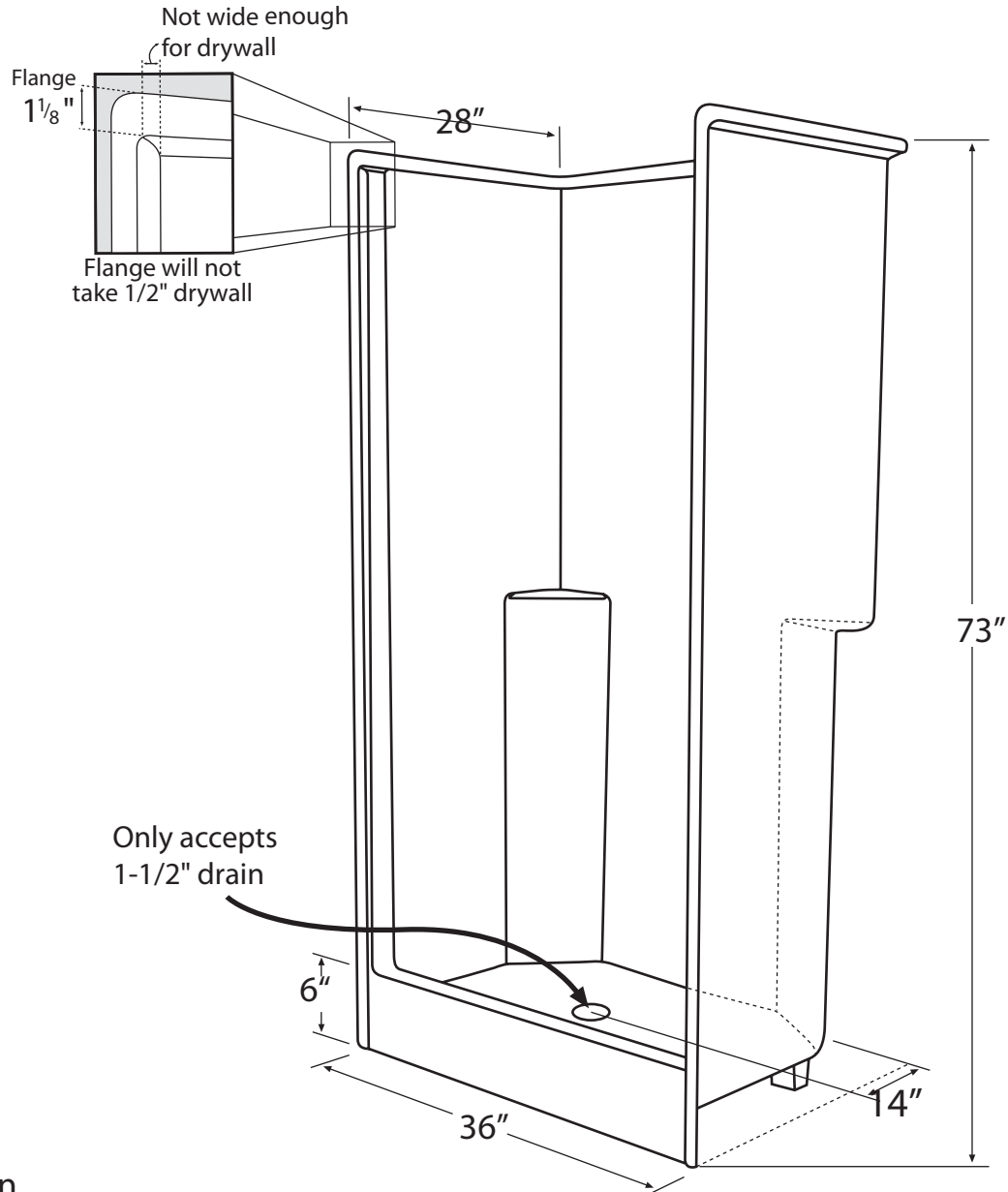


# Diamond

TUB & SHOWERS



## Information

Door Size:

31-3/8"x 65-1/2"h

Drain:

18" from right and left side wall

14"C/L from back

3-1/2" I.D. drain hole

Tolerances:

+0, -1/4"

**Shower Shallow Depth - Remodler One Piece  
Model: S 362873**

Certified to conform to HUD/UM73b, ANSI Z124.1, and ASTM E-162 Flame Spread Rating 200 or less and is under a program of factory inspection.

Manufactured by  
Front Line Mfg., Inc.  
Leesburg, IN

