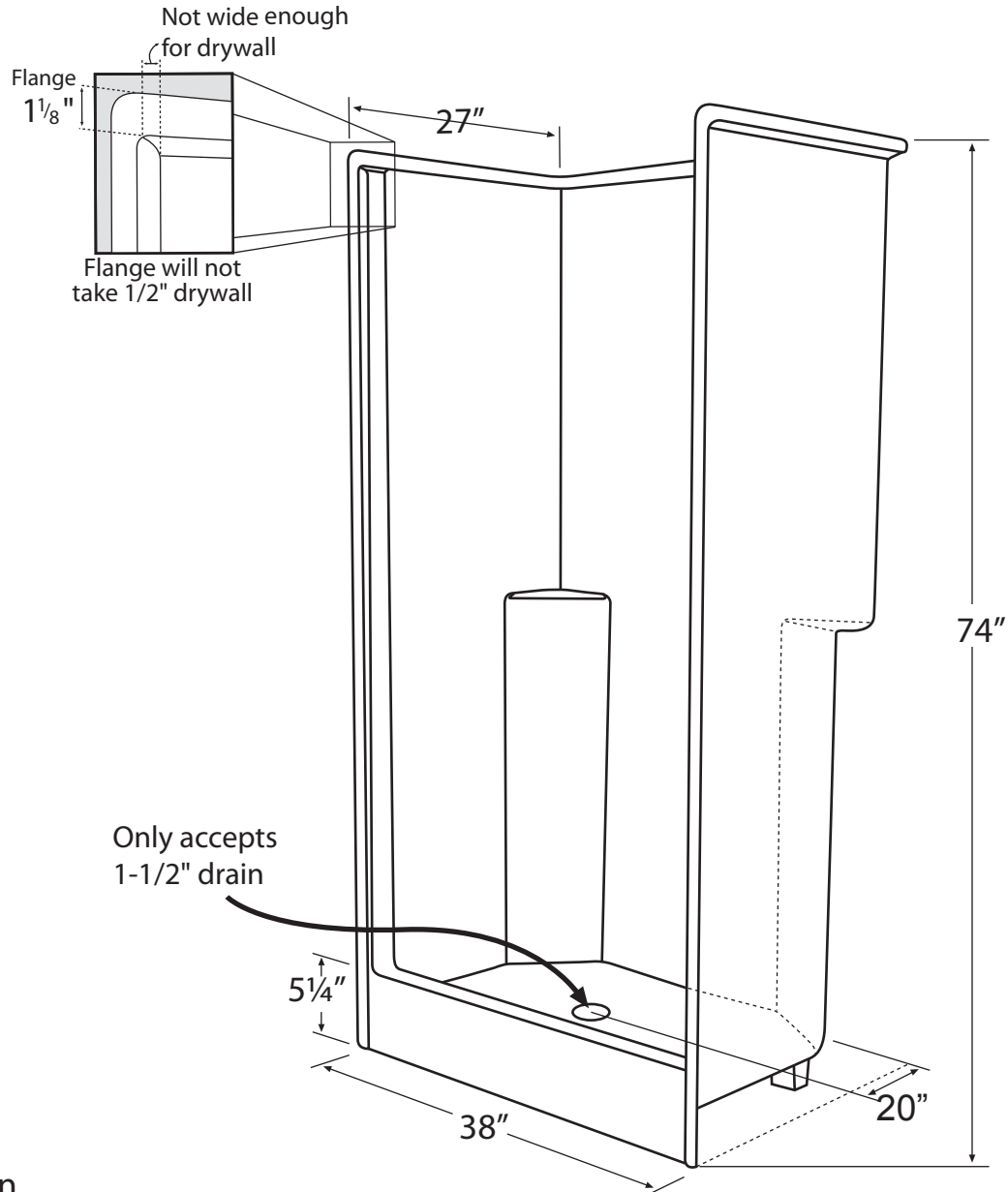


Diamond

TUB & SHOWERS



Information

Door Size:

35-1/2"x 67"h

Drain:

19" from right and left side wall

20"C/L from back

2-1/8" I.D. drain hole

Tolerances:

+0, -1/4"

Shower Shallow Depth - Remodler One Piece
Model: S 382774

Certified to conform to HUD/UM73b, ANSI Z124.1, and ASTM E-162 Flame Spread Rating 200 or less and is under a program of factory inspection.

Manufactured by
Front Line Mfg., Inc.
Leesburg, IN

