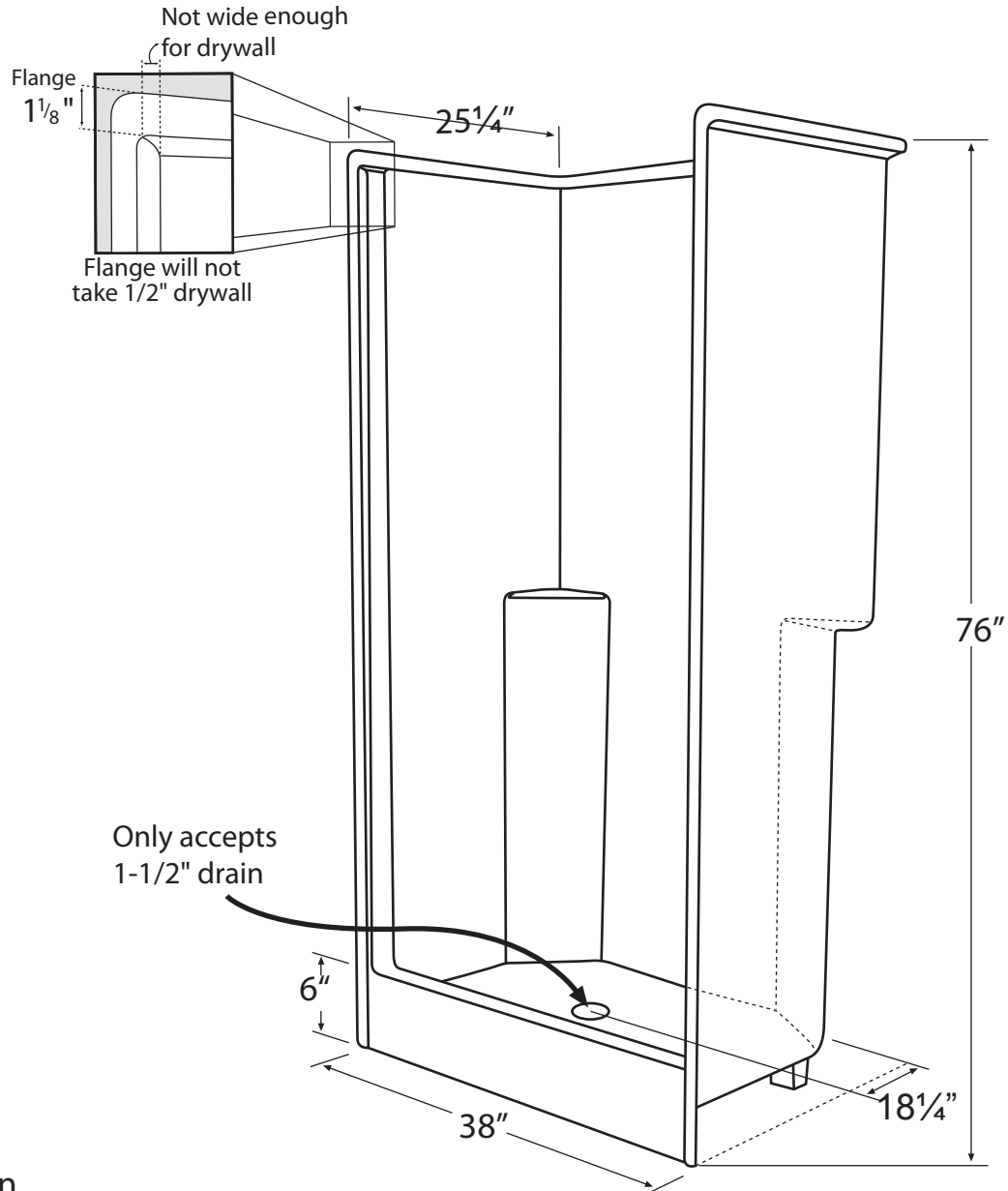


# Diamond

## TUB & SHOWERS



### Information

Door Size:

35-3/8"x 67"h

Drain:

19" from right and left side wall

18-1/4"C/L from back

2-1/8" I.D. drain hole

Tolerances:

+0, -1/4"

## Shower Shallow Depth - Remodler One Piece Model: S 382576

Certified to conform to HUD/UM73b, ANSI Z124.1, and ASTM E-162 Flame Spread Rating 200 or less and is under a program of factory inspection.

Manufactured by  
Front Line Mfg., Inc.  
Leesburg, IN

