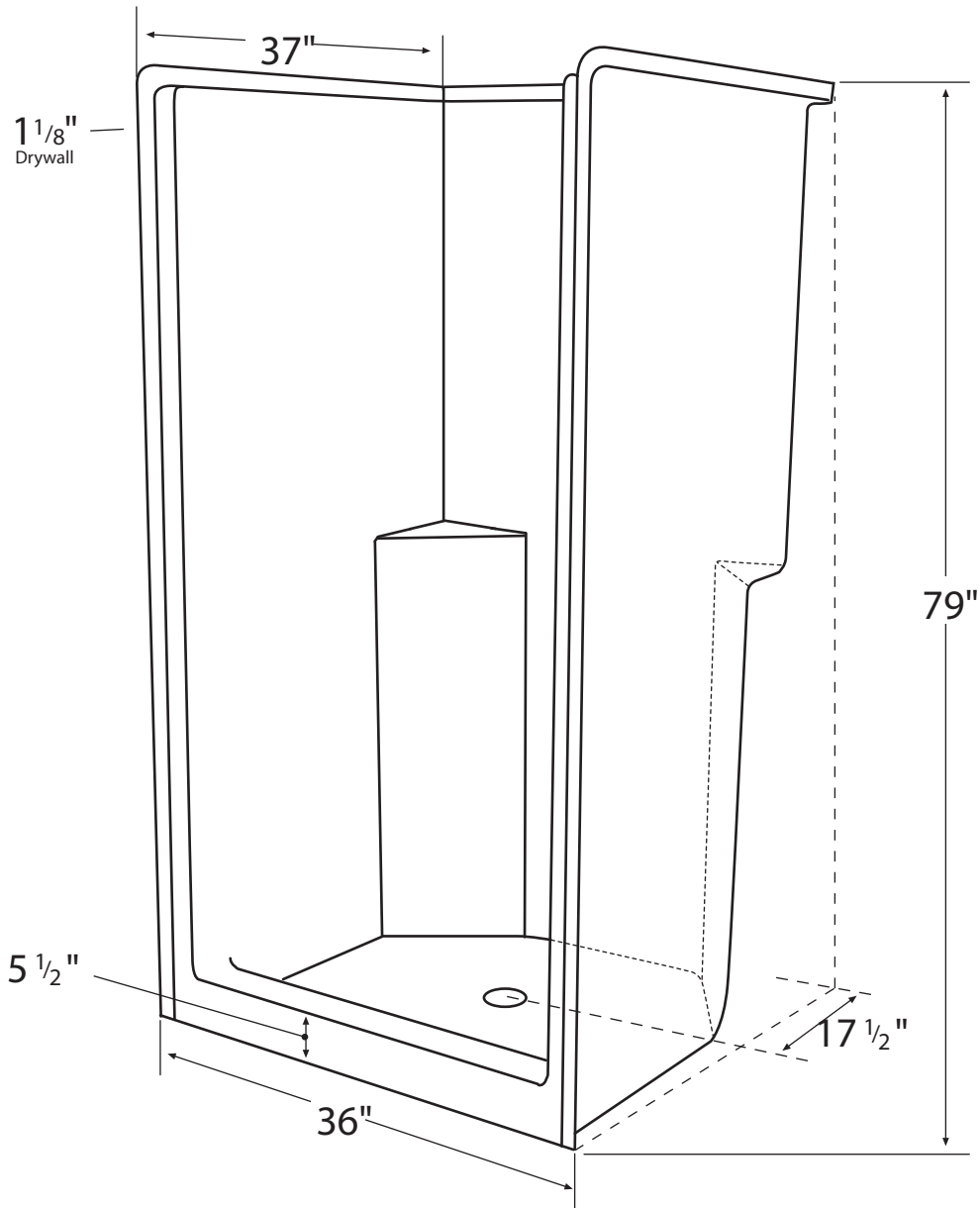


Diamond

TUB & SHOWERS



Information

Door Size:

31-7/8"w x 72"h

Drain:

18" C/L from right and left side wall

17 1/2" from back wall to C/L of drain

3-1/2" I.D. drain hole

Tolerances:

Certified to conform to HUD/UM73b, ANSI Z124.1, and ASTM E-162 Flame Spread Rating 200 or less and is under a program of factory inspection.

Shower - One Piece
Model S 363779

Manufactured by
Front Line Mfg., Inc.
Leesburg, IN



5/4/06