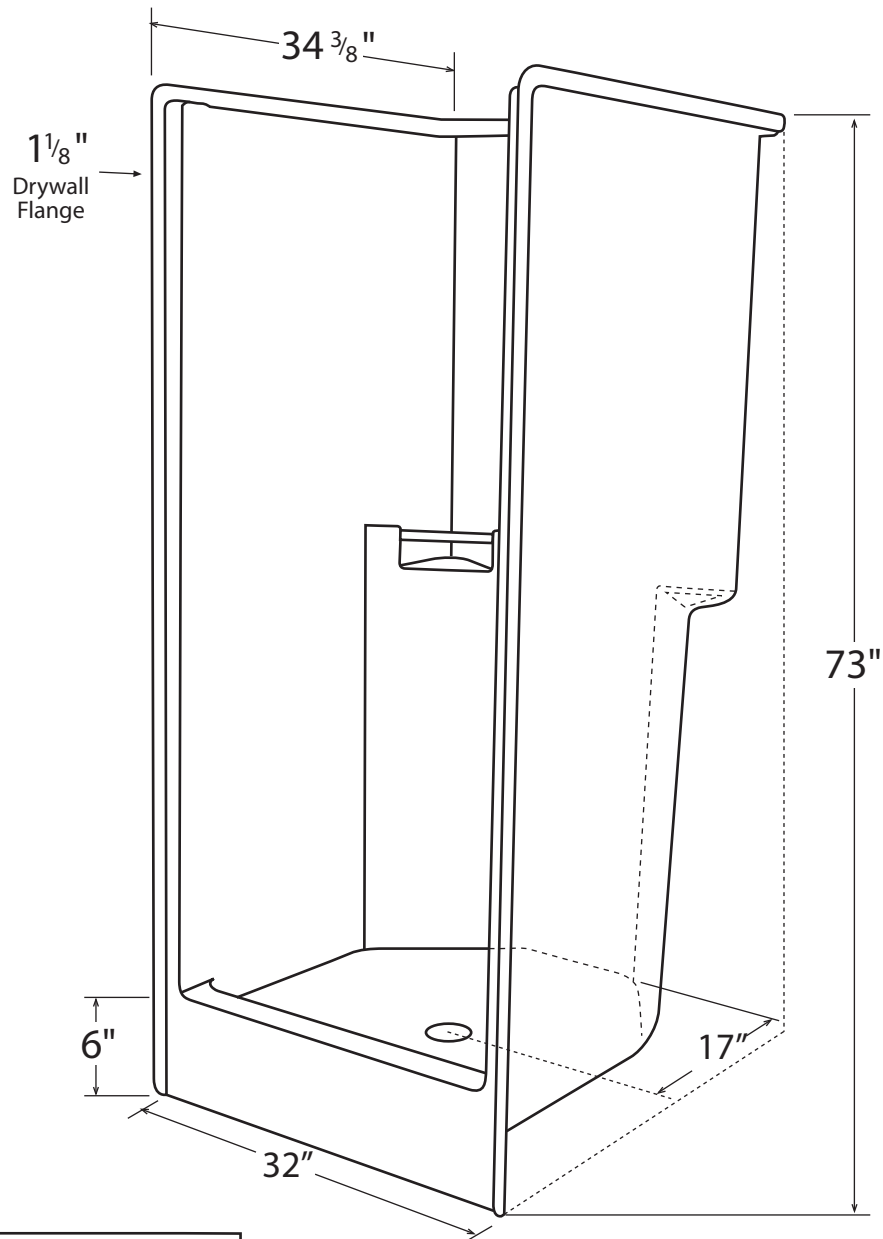


Diamond

TUB & SHOWERS



Information

Door Size:

27-7/8" w x 65-1/2" h

Drain:

16" C/L from right and left side wall

17" from back wall to C/L of drain

3-1/2" I.D. drain hole

Tolerances:

+0, -1/4"

Certified to conform to HUD/UM73b, ANSI Z124.1, and ASTM E-162 Flame Spread Rating 200 or less and is under a program of factory inspection.

Shower — One Piece
Model S 323473

Manufactured by
Front Line Mfg., Inc.
Leesburg, IN

