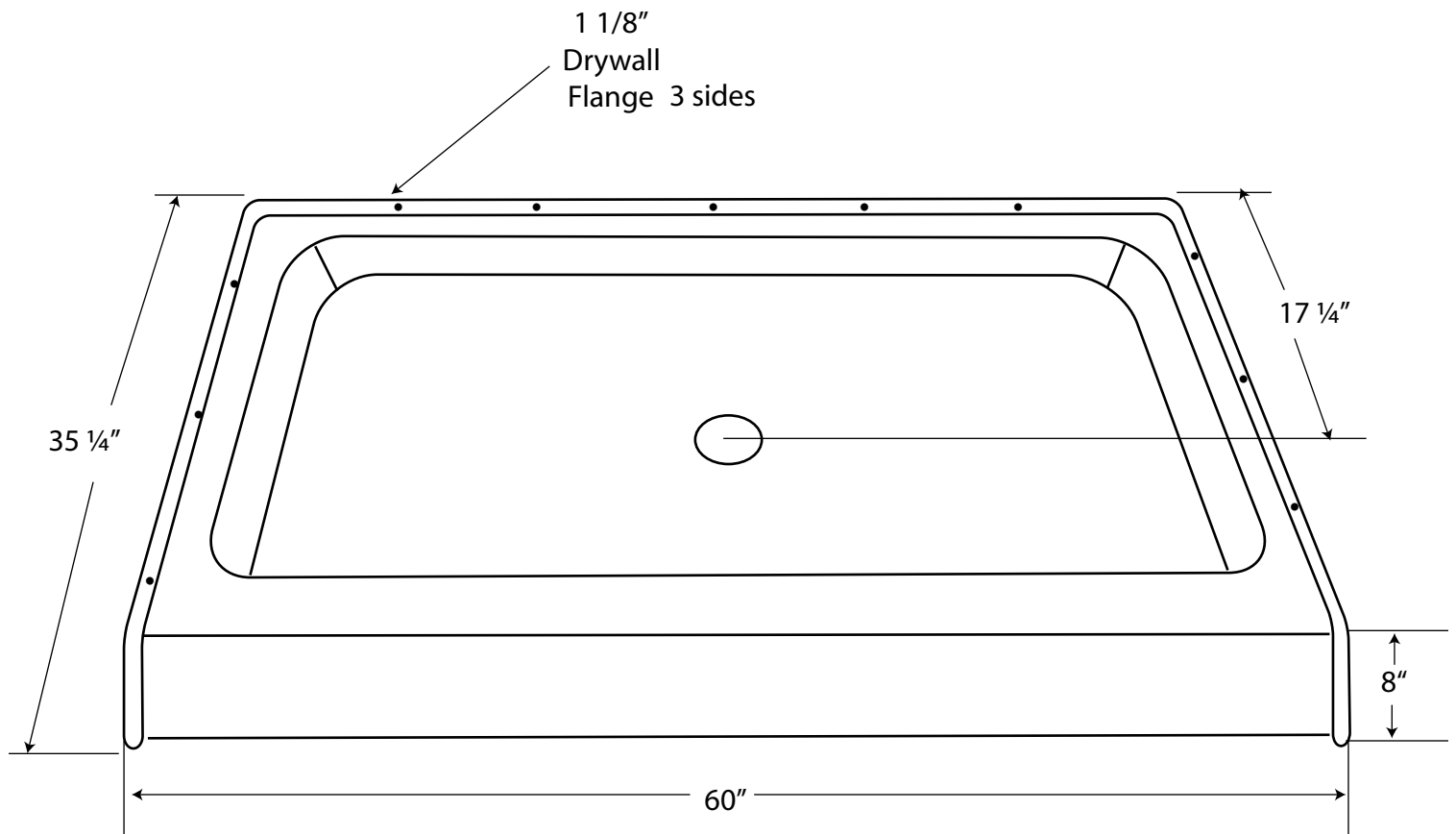


Diamond

TUB & SHOWERS



Information

Door Size: 59 1/2" wide

Drain:

30" C/L from right & left side wall
17 1/4" from back wall to C/L of drain
3 1/2" I.D. drain hole

Tolerances:

+0, -1/4"

Certified to conform to HUD/UM73b, ANSI Z124.1, and ASTM E-162 Flame Spread Rating 200 or less and is under a program of factory inspection.

Shower Base Model B 6035

Manufactured by
Front Line Mfg., Inc.
Leesburg, IN

