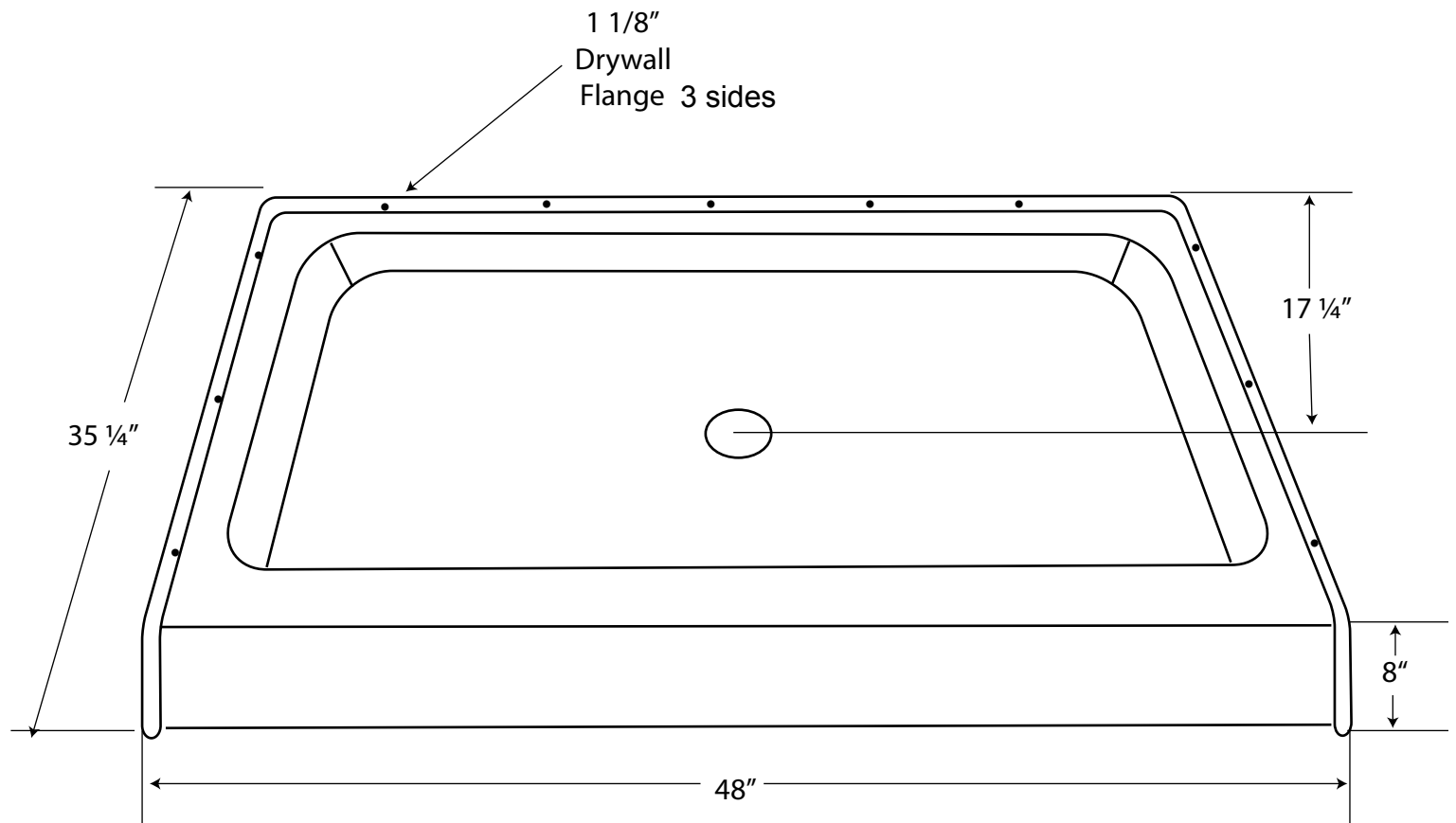


# Diamond

## TUB & SHOWERS



### Information

**Door Size:** 47 1/2" wide

**Drain:**

24" C/L from right & left side wall

17 1/4" from back wall to C/L of drain

3 1/2" I.D. drain hole

**Tolerances:**

+0, -1/4"

Certified to conform to HUD/UM73b, ANSI Z124.1, and ASTM E-162 Flame Spread Rating 200 or less and is under a program of factory inspection.

### Shower Base Model B 4835

Manufactured by  
Front Line Mfg., Inc.  
Leesburg, IN

